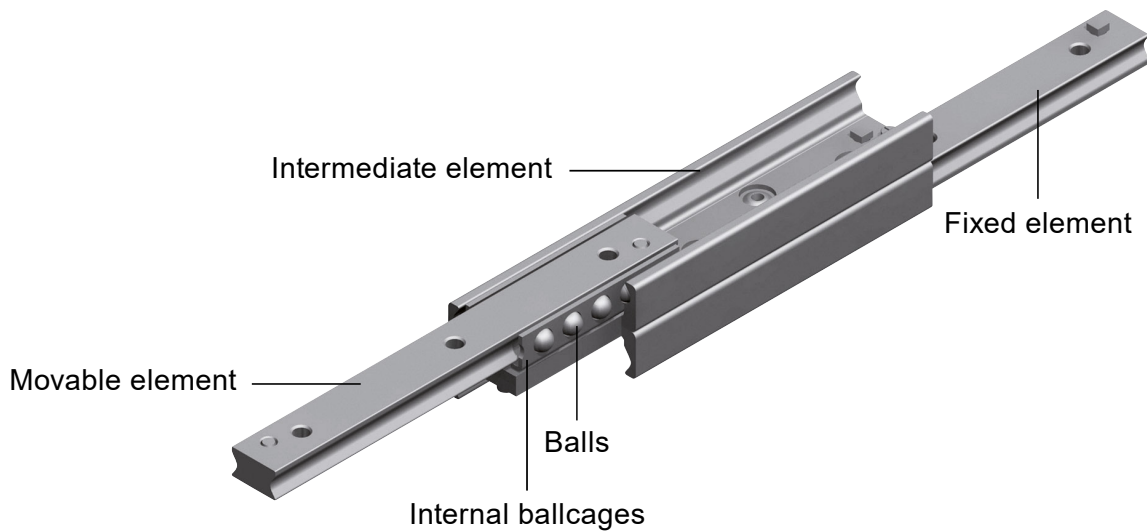


Product Overview



The Telescopic Rail Heavy range consists of versions with full and partial extension and various cross-sections and intermediate elements in S-shape, double-T or square. High loads in combination with cost-efficiency and free movement have long been the outstanding properties of the telescopic rail product line.

Performance Characteristics

- High load with low deflection.
- Rigid intermediate elements.
- Standardised gauge for holes.
- Zero-play running even with maximum load.
- Space saving design.
- High reliability.

Technical Data

- Available sizes:
ASN / DE: 22, 28, 35, 43, 63
DS: 28, 43
DBN: 22, 28, 35, 43
- Rails and sliders made of cold-drawn bearing steel.
- Induction hardened raceways.
- Balls made of hardened bearing steel.
- Max. operating speed: 0.8 m/s (depending on application).
- Electrolytic galvanised as per ISO 2081 for increased anticorrosion protection (option).
- Temperature range:
ASN / DE / DBN: -30 °C to +170 °C (-22 °F to +338 °F)
DS: -30 °C to +110 °C (-22 °F to +230 °F)

Application Areas

- Railcars (e. g. maintenance and battery extensions, doors).
- Construction and machine technology (e.g., housings and doors).
- Logistics (e.g., extensions for containers or gripper movements).
- Automotive technology.
- Packaging machines.
- Beverage industry.
- Special machines.

Rail Types

ASN series

Partial extension consisting of a guide rail and a slider. This compact size and simple design allow very high load capacities. The high system rigidity is formed in connection with the adjacent construction.



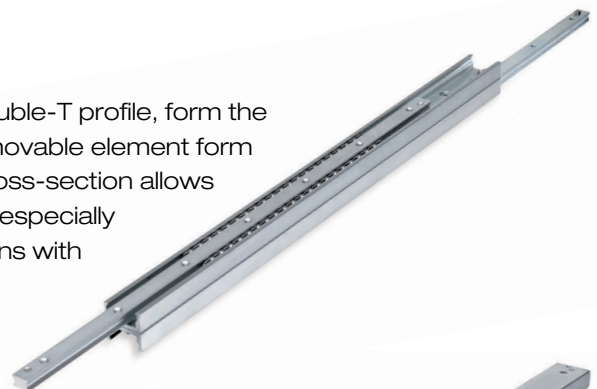
DS series

Full extension consisting of two guide rails made of fixed and movable elements and an S-shaped intermediate element. This has a high moment of inertia and high rigidity with slim size. This results in a high loading capacity with low deflection in the extended state. The DS series is available in three different designs: Version S with one-sided extension, Version B with locking in the extracted state for one-sided extension (DSB) and Version D with double-sided extension (DSD).



DE series

Full extension consisting of two guide rails, combined as double-T profile, form the intermediate element, and two sliders, which as fixed and movable element form the connection to the adjacent construction. The square cross-section allows a compact size with high load capacities and low deflection, especially with radial loading. A custom design is available for extensions with double-sided strokes. The simultaneous movement of the intermediate element is implemented with a driving disc.



DBN series

Full extension consisting of two guide rails, both fixed and movable, and two sliders which together form the intermediate element. The size is similar to the DE series and offers good protection from dirt of the open ballcage.

