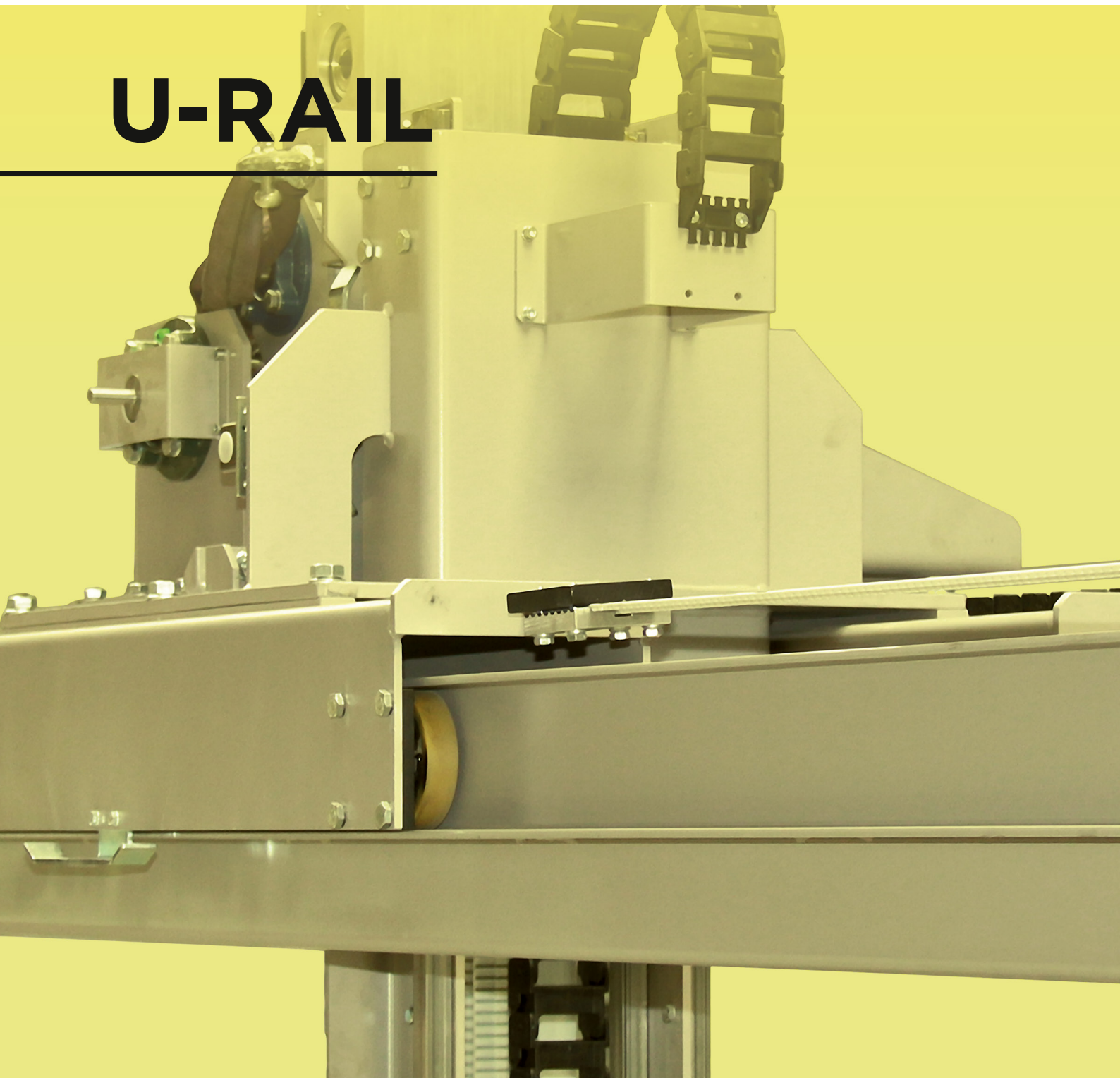


ROLLCO

U-RAIL



Every care has been taken to ensure the accuracy of the information contained in this catalogue, but no liability can be accepted for any errors or omissions. We reserve the right to make changes without prior notice.

Any reproduction, even partial, is allowed only by written permission by Rollco.



Index

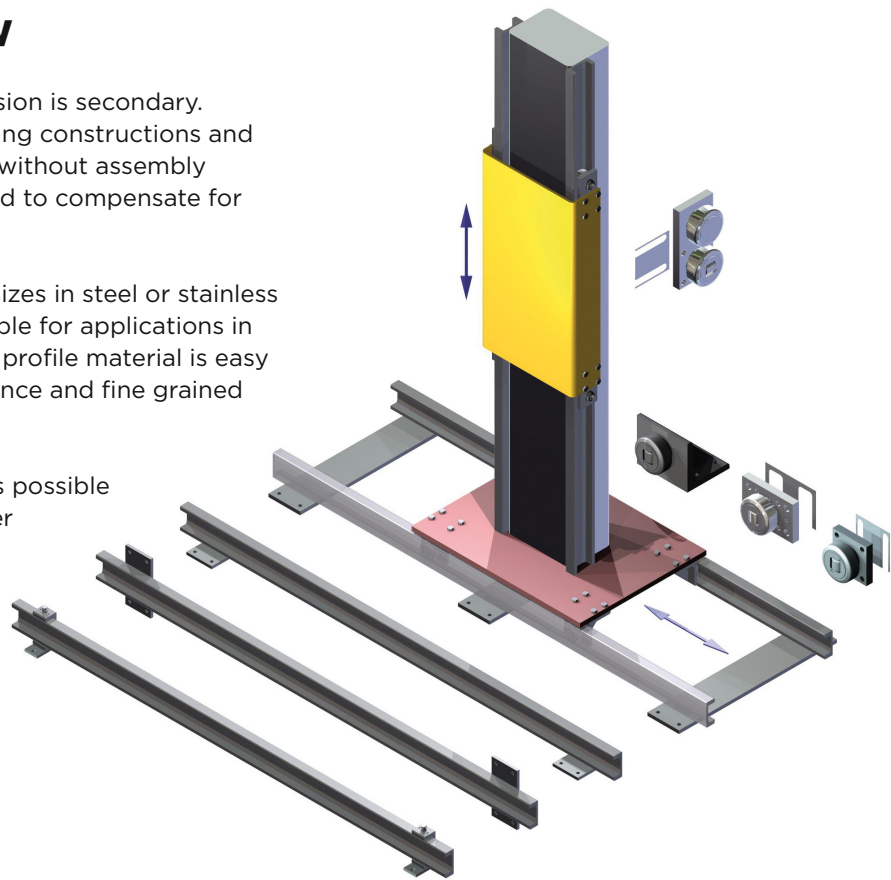
| | |
|--|-----------|
| PRODUCT OVERVIEW | 4 |
| Technical Data | 4 |
| Lubrication | 5 |
| Technical Dimensioning | 5 |
| Selection of Type | 5 |
| PROFILES | 6 |
| U-Profile UP---.0700 | 6 |
| Light U-Profile UP---.0730 | 7 |
| Heavy U-Profile XUP---.0700 | 8 |
| Stainless U-Profile UP---.0780 | 9 |
| I-Profile IP---.0800 | 10 |
| Profile Machining | 11 |
| POLYAMIDE ROLLERS | 12 |
| Polyamide Light Roller PAS ---.0360 | 12 |
| Polyamide Light Roller PAS ---.0200 | 13 |
| Polyamide Light Roller with Flange PSAS ---.6200 | 15 |
| STANDARD ROLLERS | 16 |
| Standard Roller Fixed TR---. 0200 | 16 |
| Standard Roller TR---.0300 | 17 |
| Standard Roller with Oilamide Sliding Block TR---.0360 | 18 |
| Standard Roller STR---.6200 | 19 |
| HEAVY ROLLERS | 20 |
| Heavy Roller Fixed XTR---.0200 | 20 |
| Heavy Roller XTR---.0300 | 21 |
| Heavy Roller XSTR---.6200 | 22 |
| STAINLESS ROLLERS | 23 |
| Stainless Roller TR---.0390 | 23 |
| Stainless Roller STR---.4200 | 24 |
| GUIDEWAY UNITS | 25 |
| Heavy Duty Guideway Unit SFE---.5200 | 25 |
| ACCESSORIES | 26 |
| Clamp Console KS---.3650 | 26 |
| Fixing Element Square BQ---.1000 | 27 |
| Fixing Element Rectangular BR---.1100 | 28 |
| Stainless Fixing Element Square BQ---.4000 | 29 |
| Stainless Fixing Element Rectangular BR---.4100 | 30 |
| Distance Sheet BQ | 31 |
| Distance Sheet BR | 32 |
| Distance Ring | 33 |
| APPLICATION EXAMPLES | 34 |

Product Overview

U-Rail is robust system where precision is secondary. The profiles can be welded on existing constructions and the rollers can be delivered with or without assembly plates. The U-Rail system is designed to compensate for deviations in parallelism.

U-rail is available in three different sizes in steel or stainless steel AISI 304, which makes it suitable for applications in very demanding environments. The profile material is easy to weld and offers high wear resistance and fine grained structure.

For smaller loads or high speed, it is possible to get polyamide rollers for a quieter and smoother operation.



Technical Data

Tolerances

The bearings specified in this catalog are manufactured according to DIN 620, class PN (PO), values load capacity are according to ISO 76 and 281/1.

Materials

Outer rings: Case-hardened steel 20CrMnTi, surface hardened at 62-2 HRC.
Inner rings: Bearing steel UNI 100Cr6, hardened at 62-2 HRC.
Welding bolts: S355 J2G3, easy weldable, bolt diam. range of tolerance 0/-0,05 mm.
Profiles: Material 18 MnNb6

Sealing

ZRS-seal Bearing with labyrinth / elastomer-seal, lubricated for lifetime.

Screws

TORX / Screw locking DIN 267-28 Polyamid coating.

Service Temperature

Generally from - 40 °C to +120 °C, for short time usable to +150 °C, high temperature bearings to +250 °C.

Important Information

The standard rollers have a convex contact surface.

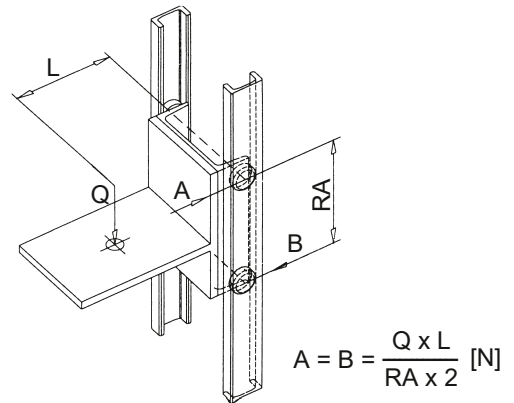
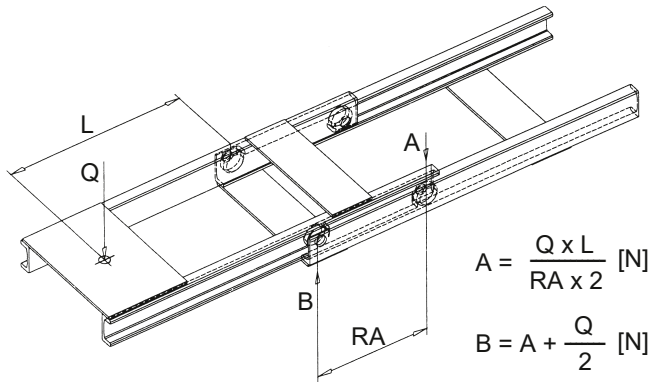
Bearings with diameter < 100 mm have to be dismantled before welding.

To avoid damage of the bearings we strongly recommend always to order the rollers with mounting plates.

Lubrication

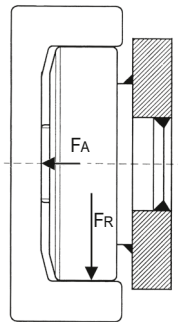
For steel rollers the guideway profiles have to be greased carefully on the contact surface before use. Standard bearings are lubricated with lithium-grease, grade 3.

Technical Dimensioning



- Q = Load with dead weight [N]
- L = Load distance [mm]
- RA = Roller distance [mm]
- A, B = Load capacity roller/profile [N]

Selection of Type



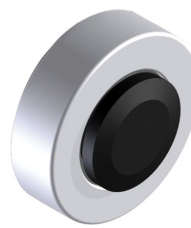
Rail



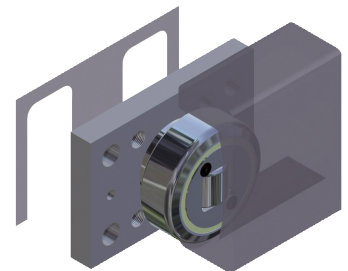
Steel Roller



Polyamide Roller

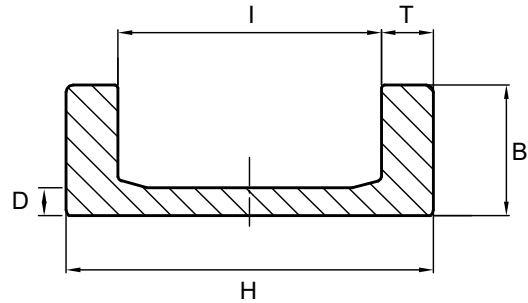


Mounting Plate



For Rollers in Vulkollan® material please contact Rollco.

U-Profile UP---.0700



- Higher wear-resistance
- Fine grained structure
- Easy to weld
- Special machining on request
- Max length in one piece 12 m

Versions of delivery:

- | | |
|---|------------|
| 1. Standard | UP---.0700 |
| 2. Fine straightened style $\pm 0,3$ mm/m | UP---.0701 |
| 3. Sandblasted | UP---.0702 |
| 4. Sandblasted + fine straightened style | UP---.0703 |

Material:

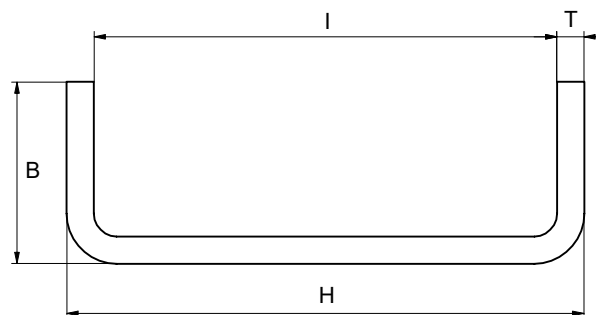
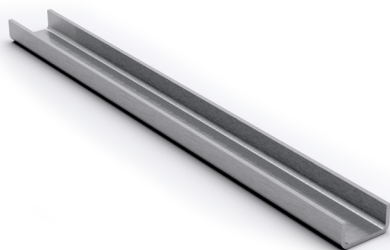
18MnNb 6 with plenty more load capacity by add-on of Niob (Nb) and vanadium (V)

Ordering example: UP 070.0700-2800 (U-Profile with inside measurement 70,8 mm, length 2800 mm)

Dimensions in mm.

| Designation | B | D | H | I | T | Weight |
|-------------|----------------|----------------|--------|-----------------|----------------|------------|
| UP060.0700 | 36,00 | 7 \pm 0,5 | 86,50 | 62,7 \pm 0,8 | 12 \pm 0,5 | 10,5 kg/m |
| UP070.0700 | 40 \pm 0,8 | 7,7 \pm 0,5 | 103,20 | 70,8 \pm 0,5 | 16,2 \pm 0,5 | 14,8 kg/m |
| UP080.0700 | 41 \pm 0,5 | 10,8 \pm 0,5 | 121,30 | 78,7 \pm 0,5 | 21,2 \pm 0,5 | 20,9 kg/m |
| UP090.0700 | 53 \pm 0,5 | 12,7 \pm 0,5 | 135,40 | 89,4 \pm 0,5 | 23 \pm 0,5 | 28,6 kg/m |
| UP110.0700 | 61,2 \pm 0,8 | 14 \pm 0,5 | 157,20 | 108,4 \pm 0,5 | 24,4 \pm 0,5 | 36 kg/m |
| UP120.0700 | 66,2 \pm 0,8 | 16,2 \pm 0,5 | 175,00 | 123,8 \pm 0,5 | 25,6 \pm 0,5 | 42,8 kg/m |
| UP150.0700 | 71,2 \pm 0,8 | 19,4 \pm 0,5 | 201,50 | 150,1 \pm 0,5 | 25,7 \pm 0,5 | 52,3 kg/m |
| UP180.0700 | 90 \pm 0,6 | 19,4 \pm 0,5 | 252,50 | 181,1 \pm 0,6 | 35,7 \pm 0,6 | 78,51 kg/m |

Light U-Profile UP---.0730



- Higher wear-resistance
- Fine grained structure
- Easy to weld
- Special machining on request
- Max length in one piece 8 m

Material:

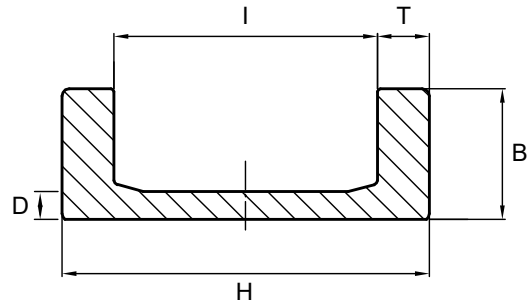
S235J2

Ordering example: UP 050.0730 - 2800 (U-Profile with inside measurement 53 mm, length 2800 mm)

Dimensions in mm.

| Designation | B | H | I | T | Weight |
|-------------|-------|--------|--------|-------|------------|
| UP040.0730 | 24,00 | 48,50 | 40,50 | 4,00 | 2.62 kg/m |
| UP050.0730 | 30,00 | 65,00 | 53,00 | 6,00 | 5.3 kg/m |
| UP060.0730 | 33,00 | 75,00 | 63,00 | 6,00 | 5.8 kg/m |
| UP100.0730 | 40,00 | 114,00 | 102,00 | 6,00 | 8.3 kg/m |
| UP125.0730 | 56,00 | 142,00 | 126,00 | 8,00 | 14.3 kg/m |
| UP145.0730 | 65,00 | 162,00 | 146,00 | 8,00 | 16.9 kg/m |
| UP160.0730 | 73,00 | 175,00 | 159,00 | 8,00 | 18.41 kg/m |
| UP180.0730 | 70,00 | 200,00 | 180,00 | 10,00 | 24.1 kg/m |

Heavy U-Profile XUP---.0700



- Extra sustainable
- Extra exact
- Extra strong
- Extra long-lasting
- Chamber dimension tolerance 0,2 mm
- Max. loading pressure 1060 Mpa
- Elastic limit ≥ 550 Mpa
- Tensile strength 700 ... 900 Mpa
- Special machining on request
- Max length in one piece 8,8 m

Material:

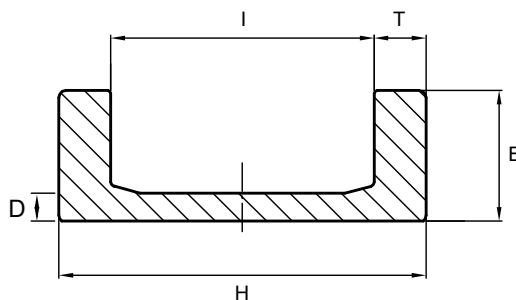
25 MnV5mod with plenty more load capacity

Ordering example: XUP 070.0700-2800 (U-Profile with inside measurement 74,1 mm, length 2800 mm)

Dimensions in mm.

| Designation | B | D | H | I | T | Weight |
|-------------|-----------|-----------|--------|------------|-----------|------------|
| XUP060.0700 | 36.00 | 7 ±0,5 | 86.50 | 65,8 ±0,1 | 10,3 ±0,5 | 9,82 kg/m |
| XUP070.0700 | 40 ±0,8 | 7,7 ±0,5 | 103.20 | 74,1 ±0,1 | 14,5 ±0,5 | 13.97 kg/m |
| XUP080.0700 | 41 ±0,5 | 10,8 ±0,5 | 121.30 | 82 ±0,1 | 19,6 ±0,5 | 20.24 kg/m |
| XUP090.0700 | 53 ±0,5 | 12,7 ±0,5 | 135.40 | 92,7 ±0,1 | 21,3 ±0,5 | 27.65 kg/m |
| XUP110.0700 | 61,2 ±0,8 | 14 ±0,5 | 157.20 | 111,7 ±0,1 | 22,7 ±0,5 | 34.77 kg/m |
| XUP120.0700 | 66,2 ±0,8 | 16,2 ±0,5 | 175.00 | 127,1 ±0,1 | 23,9 ±0,5 | 41.69 kg/m |
| XUP150.0700 | 71,2 ±0,8 | 19,4 ±0,5 | 201.50 | 153,4 ±0,1 | 24 ±0,5 | 50.99 kg/m |

Stainless U-Profile UP---.0780



- Stainless steel U-Profile
- Manufacturing length up to 8000 mm

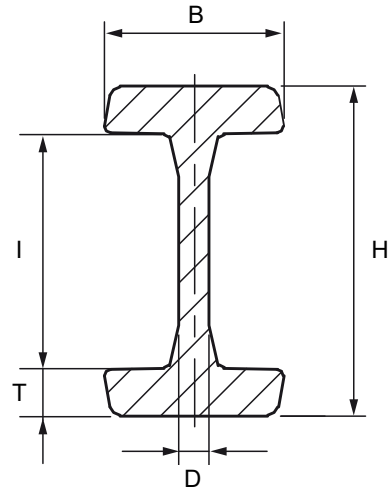
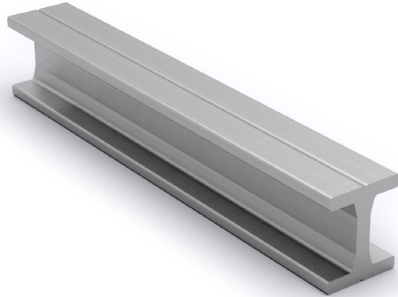
Material:
1.4301

Ordering example: UP 070.0780-2800 (U-Profile with inside measurement 74,1 mm, length 2800 mm)

Dimensions in mm.

| Designation | B | D | H | I | T | Weight |
|-------------|---------|-----------|------------|-----------|-------|-----------|
| UP050.0780 | 31.00 | 6.00 | 65 ±0,4 | 53 ±0,4 | 6.00 | 5,3 kg/m |
| UP070.0780 | 38 ±0,8 | 8 ±0,5 | 90,5 ±0,8 | 71 ±0,8 | 9.75 | 10,7 kg/m |
| UP080.0780 | 41 ±0,8 | 10,8 ±0,8 | 121,3 ±0,8 | 78,7 ±0,7 | 21.30 | 21 kg/m |

I-Profile IP---.0800



- Higher wear resistance
- Fine grained structure
- Easy to weld

Versions of delivery:

- Standard IP---.0800
- Fine straightened style $\pm 0,3$ mm/m IP---.0801
- Sandblasted IP---.0802
- Sandblasted + fine straightened style IP---.0803

Material:

Material 18MnNb 6 with plenty more load capacity by add-on of Niob (Nb).

Ordering example: IP 070.0800-2800 (I-Profile with inside measurement 70 mm, length 2800 mm)

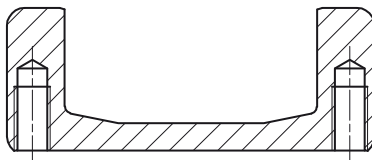
Dimensions in mm.

| Designation | B | D | H | I | T | Weight |
|-------------|---------------|--------------|---------------|-----------------|----------------|-----------|
| IP060.0800 | 72 ± 1 | 14 $\pm 0,5$ | 86,5 | 62,7 $+0,8$ | 12 $\pm 0,5$ | 21,0 kg/m |
| IP070.0800 | 65 ± 1 | 9 $\pm 0,5$ | 98 | 70 $+1$ | 14 $\pm 0,5$ | 19,4 kg/m |
| IP080.0800 | 66 ± 1 | 11 $\pm 0,5$ | 113,9 | 77,9 $+1$ | 18 $\pm 0,5$ | 25,3 kg/m |
| IP090.0800 | 81 $\pm 1,25$ | 12 $\pm 0,5$ | 129,6 | 88,6 $+1$ | 20,5 $\pm 0,5$ | 34,0 kg/m |
| IP110.0800 | 83 ± 1 | 14 $\pm 0,5$ | 152,4 | 108,4 $\pm 0,5$ | 22 $\pm 0,5$ | 40,8 kg/m |
| IP120.0800 | 90 $\pm 1,3$ | 15 $\pm 0,5$ | 175 $\pm 0,5$ | 123,8 $\pm 0,5$ | 25,6 $\pm 0,5$ | 51,5 kg/m |

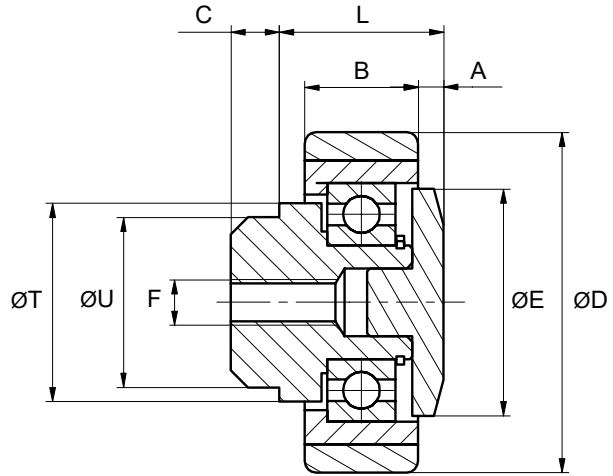
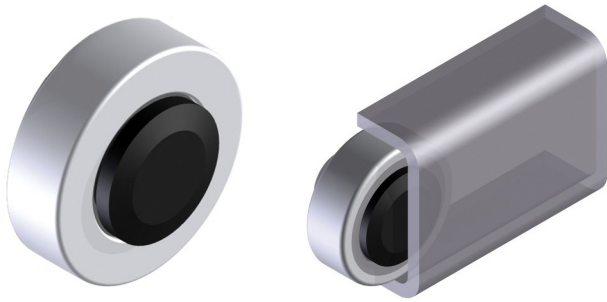
Profile Machining

The profiles are manufactured according to your specifications. Please define the favoured pitch.

Example of machining:



Polyamide Light Roller PAS ---.0360



- Polyamide roller combined – fixed with oilamide sliding block
- Lubricated for lifetime
- High abrasion resistance
- Low friction
- High chemical resistance to alcohol, salts, greases and certain acids and alkalis in diluted concentration.

Temperature:

Maximum working temperature 80° C.

Speed:

Travel speed up to 5 m/sec.

Reduction of value by speed of:

- 1 m/sec: 0%
- 2 m/sec: -20%
- 3 m/sec: -30%

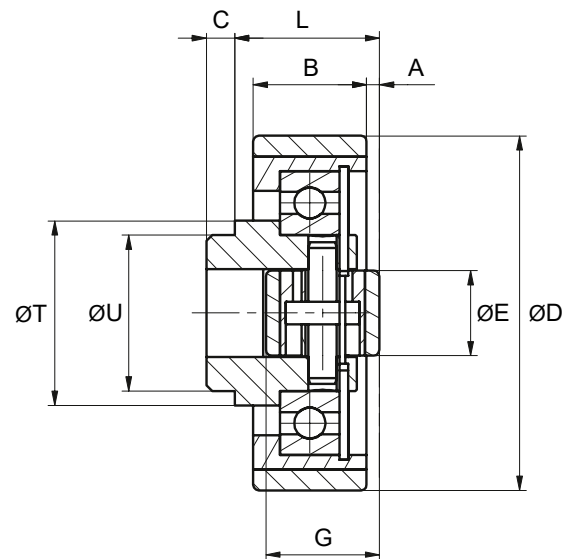
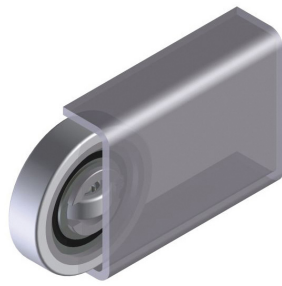
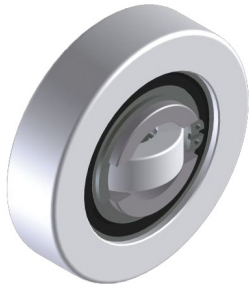
Use profile UP---.0730. See Fixing element rectangular and square.

Order example: Roller + fixing plate PAS040.0360/BQ 1000
 Roller Ø 40 mm - welded with mounting element 50 mm x 50 mm x 8 mm

Dimensions in mm.

| Designation | System Load Capacity Radial | System Load Capacity Axial | A | B | C | D | E | F | L | T | U |
|-------------|-----------------------------|----------------------------|------|-------|------|--------|-------|----|-------|-------|-------|
| PAS040.0360 | 900 N | 400 N | 2.80 | 15.00 | 2.80 | 40.00 | 20.00 | M6 | 24.00 | 25.00 | 20.00 |
| PAS050.0360 | 1200 N | 400 N | 5.00 | 15.00 | 5.00 | 52.50 | 31.00 | M8 | 27.00 | 35.00 | 30.00 |
| PAS060.0360 | 1500 N | 600 N | 4.50 | 18.00 | 8.50 | 62.50 | 40.00 | M8 | 29.00 | 35.00 | 30.00 |
| PAS100.0360 | 2500 N | 600 N | 6.30 | 25.00 | 8.00 | 101.20 | 64.00 | — | 41.00 | 50.00 | 45.00 |

Polyamide Light Roller PAS ---.0200



- Polyamide roller combined - fixed
- Lubricated for lifetime
- High abrasion resistance
- Low friction
- High chemical resistance to alcohol, salts, greases and certain acids and alkalis in diluted concentration.

Temperature:

Maximum working temperature 80° C.

Speed:

Travel speed up to 5 m/sec.

Reduction of value by speed of:

- 1 m/sec: 0%
- 2 m/sec: -20%
- 3 m/sec: -30%

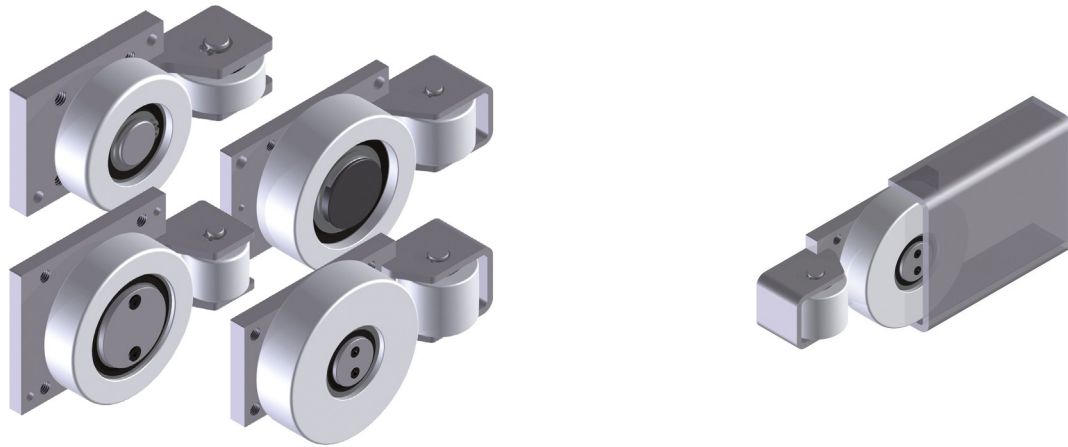
Use profile UP---.0730. See Fixing element rectangular and square.

Order example: Roller + fixing plate PAS040.0360/BQ1000
 Roller Ø 40 mm - welded with mounting element 50 mm x 50 mm x 8 mm

Dimensions in mm.

| Designation | System Load Capacity Radial | System Load Capacity Axial | A | B | C | D | E | G | L | T | U |
|-------------|-----------------------------|----------------------------|------|-------|-------|--------|-------|-------|-------|-------|-------|
| PAS100.0200 | 2500 N | 900 N | 6.50 | 25.00 | 8.00 | 101.20 | 15.00 | 40.00 | 41.00 | 51.00 | 45.00 |
| PAS125.0200 | 6000 N | 1300 N | 4.50 | 40.00 | 10.00 | 125.00 | 30.00 | 40.00 | 51.00 | 65.00 | 55.00 |

Polyamide Light Roller with Flange PSAS ---.6200



- Polyamide roller combined – fixed axial roller with higher load capacity
- Lubricated for lifetime
- High abrasion resistance
- Low friction
- High chemical resistance to alcohol, salts, greases and certain acids and alkalis in diluted concentration.

Temperature:

Maximum working temperature 80° C.

Speed:

Travel speed up to 5 m/sec.

Reduction of value by speed of:

- 1 m/sec: 0%
- 2 m/sec: -20%
- 3 m/sec: -30%

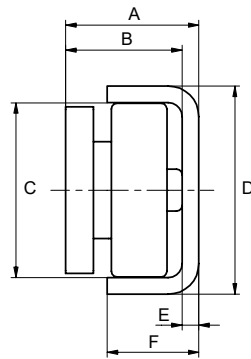
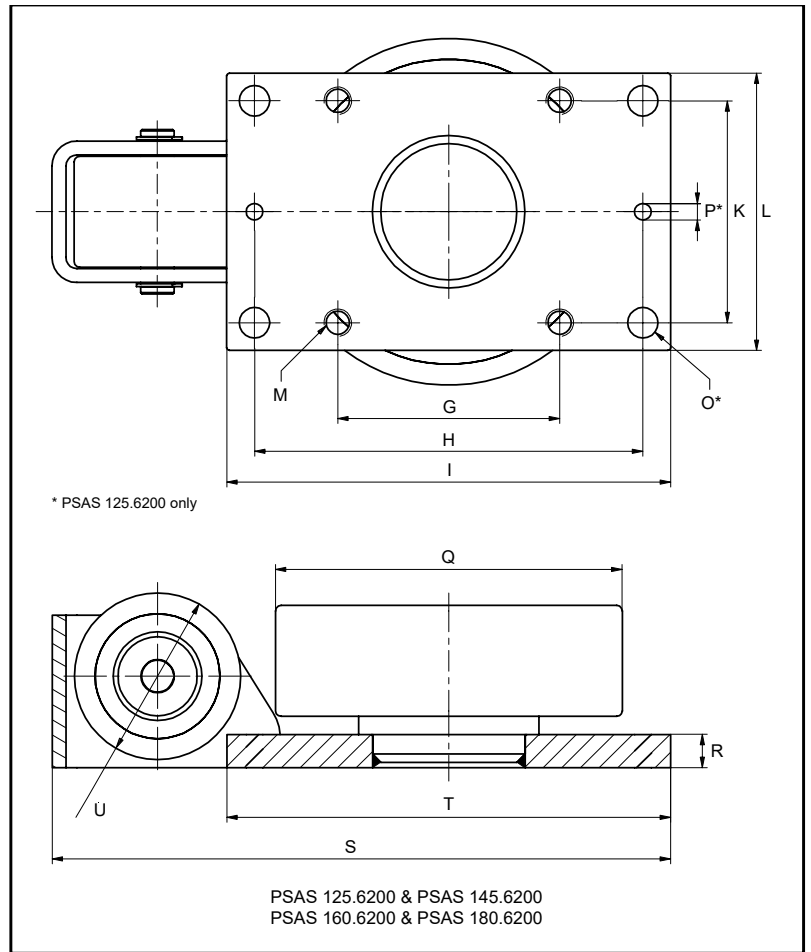
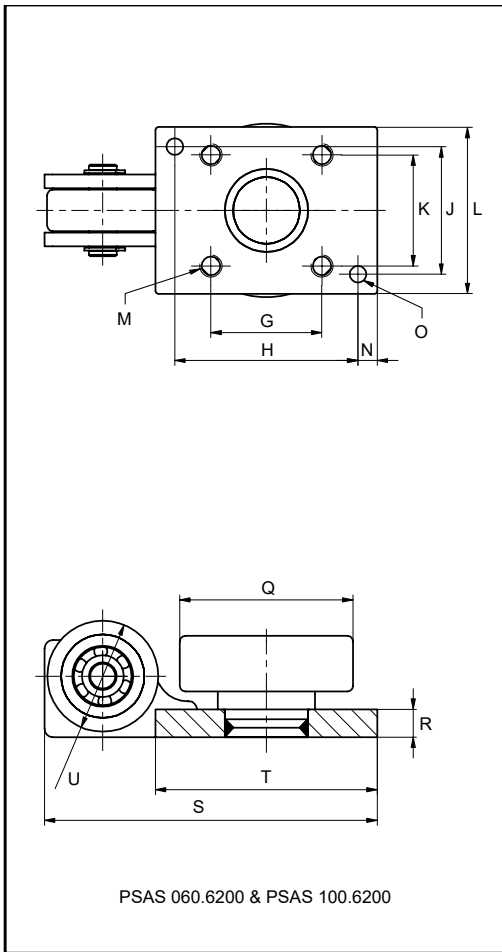
Use profile UP---.0730

Order example: Roller + fixing plate PAS040.0360/BQ1000

Roller Ø 40 mm - welded with mounting element 50 mm x 50 mm x 8 mm

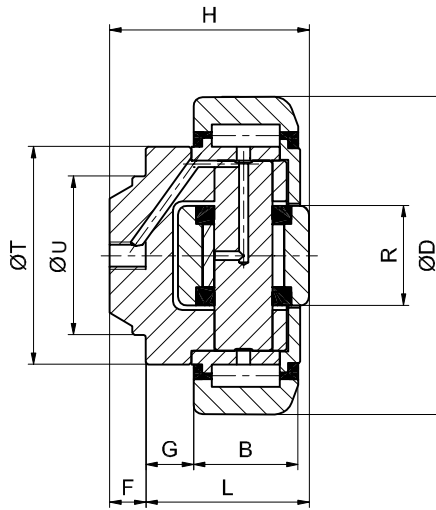
Dimensions in mm.

| Designation | System Load Capacity Radial | System Load Capacity Axial | A | B | C | D | E | F | G |
|--------------|-----------------------------|----------------------------|-------|-------|--------|--------|-------|-------|--------|
| PSAS060.6200 | 1500 N | 900 N | 48.00 | 42.00 | 63.00 | 75.00 | 6.00 | 33.00 | 40.00 |
| PSAS100.6200 | 2500 N | 1800 N | 57.00 | 51.00 | 102.00 | 114.00 | 6.00 | 40.00 | 80.00 |
| PSAS125.6200 | 6000 N | 2500 N | 71.00 | 63.00 | 126.00 | 142.00 | 8.00 | 56.00 | 80.00 |
| PSAS145.6200 | 8000 N | 5000 N | 96.00 | 88.00 | 146.00 | 162.00 | 8.00 | 65.00 | 130.00 |
| PSAS160.6200 | 10000 N | 5000 N | 96.00 | 88.00 | 159.00 | 175.00 | 8.00 | 73.00 | 140.00 |
| PSAS180.6200 | 15000 N | 6500 N | 98.00 | 88.00 | 180.00 | 200.00 | 10.00 | 70.00 | 160.00 |



| H | J | K | L | M | N | O | P | Q | R | S | T | U |
|--------|-------|-------|--------|---------|------|---------|--------|--------|-------|--------|--------|-------|
| 66.00 | 46.00 | 40.00 | 60.00 | 4 x M8 | 7.00 | 2 x Ø6 | — | 62.50 | 10.00 | 120.00 | 80.00 | 40.00 |
| 105.00 | 80.00 | 80.00 | 100.00 | 4 x M10 | 7.50 | 2 x Ø6 | — | 62.50 | 10.00 | 120.00 | 80.00 | 40.00 |
| 140.00 | — | 80.00 | 100.00 | 4 x M10 | — | 4 x Ø11 | 2 x Ø6 | 125.00 | 12.00 | 223.00 | 160.00 | 60.00 |
| — | — | 90.00 | 120.00 | 4 x M16 | — | — | — | 145.00 | 20.00 | 263.00 | 180.00 | 80.00 |
| — | — | 90.00 | 120.00 | 4 x M16 | — | — | — | 158.00 | 20.00 | 273.00 | 190.00 | 80.00 |
| — | — | 90.00 | 120.00 | 4 x M16 | — | — | — | 179.00 | 20.00 | 295.00 | 210.00 | 80.00 |

Standard Roller Fixed TR---. 0200



- Lubricated for lifetime.
- Optional from size 60 relubricable.

Use profile UP---.0700. Use profile UP---.0730 for TR050.0200
 Fixing square element BQ---.1000. Rectangular fixing element BR---.1100

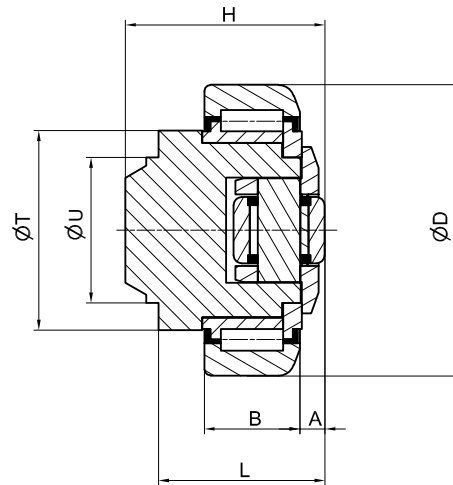
Note! Dynamic load capacity refers to bearing.

Dimensions in mm.

| Designation | Dynamic Load Capacity Radial | Dynamic Load Capacity Axial | System Load Capacity Radial | System Load Capacity Axial |
|-------------|------------------------------|-----------------------------|-----------------------------|----------------------------|
| TR050.0200 | 24500 N | 7500 N | 5300 N | 2000 N |
| TR060.0200 | 31000 N | 11000 N | 8870 N | 2950 N |
| TR070.0200 | 45500 N | 13000 N | 11400 N | 3150 N |
| TR080.0200 | 48000 N | 18000 N | 12870 N | 5000 N |
| TR090.0200 | 68000 N | 23000 N | 20370 N | 5100 N |
| TR110.0200 | 81000 N | 31000 N | 24060 N | 8900 N |
| TR120.0200 | 110000 N | 43000 N | 33440 N | 9800 N |
| TR150.0200 | 151000 N | 68000 N | 51940 N | 17400 N |
| TR180.0200 | 207000 N | 73000 N | 76000 N | 23000 N |

| Designation | B | D | F | G | H | L | R | T | U |
|-------------|-------|--------|-------|-------|-------|-------|-------|--------|--------|
| TR050.0200 | 17,00 | 52,50 | 6,00 | 5,00 | 33,00 | 27,00 | 16,00 | 40,00 | 30,00 |
| TR060.0200 | 20,00 | 62,50 | 7,00 | 9,00 | 37,50 | 30,50 | 20,00 | 42,00 | 30,00 |
| TR070.0200 | 23,00 | 70,10 | 8,00 | 10,50 | 44,00 | 36,00 | 22,00 | 48,00 | 35,00 |
| TR080.0200 | 23,00 | 77,70 | 11,50 | 10,50 | 48,00 | 36,50 | 24,00 | 54,00 | 40,00 |
| TR090.0200 | 30,00 | 88,40 | 13,00 | 10,50 | 57,00 | 44,00 | 26,00 | 59,00 | 45,00 |
| TR110.0200 | 31,00 | 107,70 | 14,00 | 20,00 | 69,00 | 55,00 | 34,00 | 71,00 | 60,00 |
| TR120.0200 | 37,00 | 123,00 | 16,30 | 14,00 | 72,30 | 56,00 | 40,00 | 80,00 | 60,00 |
| TR150.0200 | 45,00 | 149,00 | 20,00 | 8,50 | 78,50 | 58,50 | 50,00 | 103,00 | 60,00 |
| TR180.0200 | 57,30 | 180,00 | 19,40 | 12,50 | 95,70 | 76,30 | 60,00 | 124,00 | 100,00 |

Standard Roller TR---.0300



- Lubricated for lifetime.

Use profile UP---.0700.

Fixing square element BQ---.1000.

Rectangular fixing element BR---.1100

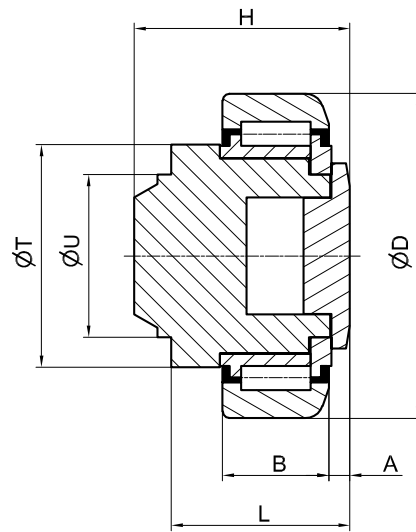
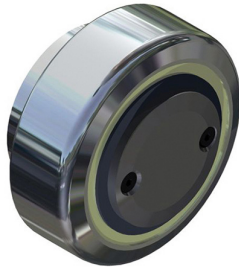
Note! Dynamic load capacity refers to bearing.

Dimensions in mm.

| Designation | Dynamic Load Capacity Radial | Dynamic Load Capacity Axial | System Load Capacity Radial | System Load Capacity Axial |
|-------------|------------------------------|-----------------------------|-----------------------------|----------------------------|
| TR060.0300 | 31000 N | 8000 N | 8870 N | 2950 N |
| TR070.0300 | 45500 N | 13000 N | 11400 N | 3150 N |
| TR080.0300 | 48000 N | 14000 N | 12870 N | 5000 N |
| TR090.0300 | 68000 N | 15000 N | 20370 N | 5100 N |
| TR110.0300 | 81000 N | 31000 N | 24060 N | 8900 N |
| TR120.0300 | 110000 N | 31000 N | 33440 N | 9800 N |
| TR150.0300 | 151000 N | 68000 N | 51940 N | 17400 N |

| Designation | A | B | D | H | L | T | U |
|-------------|-------|-------|--------|-------|-------|--------|-------|
| TR060.0300 | 5,50 | 20,00 | 62,50 | 43,00 | 33,00 | 42,00 | 30,00 |
| TR070.0300 | 6,50 | 23,00 | 70,10 | 48,00 | 40,00 | 48,00 | 35,00 |
| TR080.0300 | 7,00 | 23,00 | 77,70 | 50,50 | 39,50 | 54,00 | 40,00 |
| TR090.0300 | 7,00 | 30,00 | 88,40 | 61,00 | 48,00 | 59,00 | 45,00 |
| TR110.0300 | 8,00 | 31,00 | 107,70 | 69,00 | 55,00 | 71,00 | 60,00 |
| TR120.0300 | 8,00 | 37,00 | 123,00 | 75,80 | 59,50 | 80,00 | 60,00 |
| TR150.0300 | 15,00 | 45,00 | 149,00 | 89,00 | 69,00 | 103,00 | 60,00 |

Standard Roller with Oilamide Sliding Block TR---.0360



- Lubricated for lifetime.

Use profile UP---.0700.

Fixing square element BQ---.1000. Rectangular fixing element BR---.1100.

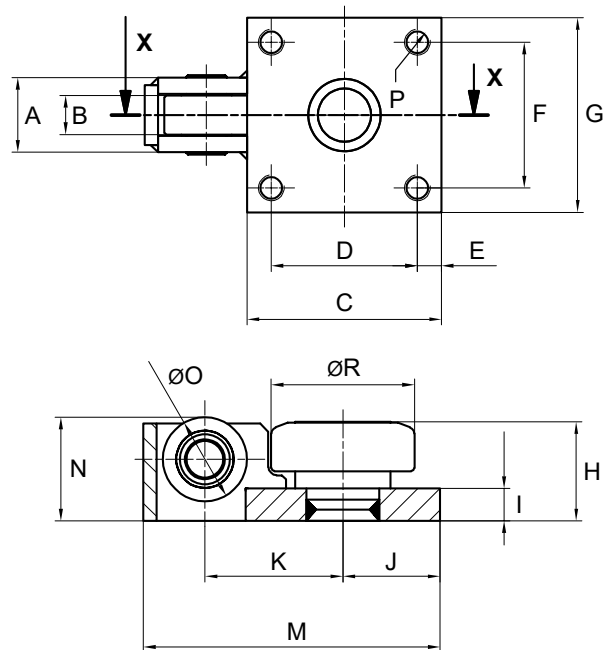
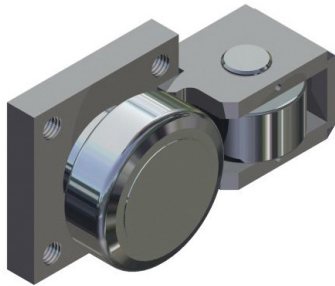
Note! Dynamic load capacity refers to bearing.

Dimensions in mm.

| Designation | Dynamic Load Capacity Radial | System Load Capacity Radial | System Load Capacity Axial |
|-------------|------------------------------|-----------------------------|----------------------------|
| TR050.0360 | 24500 N | 5300 N | 2000 N |
| TR060.0360 | 31000 N | 8870 N | 2950 N |
| TR070.0360 | 45500 N | 11400 N | 3150 N |
| TR080.0360 | 48000 N | 12870 N | 5000 N |
| TR090.0360 | 68000 N | 20370 N | 5100 N |
| TR110.0360 | 81000 N | 24060 N | 8900 N |
| TR120.0360 | 110000 N | 33440 N | 9800 N |
| TR150.0360 | 151000 N | 51940 N | 17400 N |

| Designation | A | B | D | H | L | T | U |
|-------------|------|-------|--------|-------|-------|--------|-------|
| TR050.0360 | 6,00 | 17,00 | 52,50 | 34,00 | 28,00 | 40,00 | 30,00 |
| TR060.0360 | 5,50 | 20,00 | 62,50 | 43,00 | 33,00 | 42,00 | 30,00 |
| TR070.0360 | 6,50 | 23,00 | 70,10 | 48,00 | 40,00 | 48,00 | 35,00 |
| TR080.0360 | 7,00 | 23,00 | 77,70 | 50,50 | 39,50 | 54,00 | 40,00 |
| TR090.0360 | 7,00 | 30,00 | 88,40 | 61,00 | 48,00 | 59,00 | 45,00 |
| TR110.0360 | 8,00 | 31,00 | 107,70 | 69,00 | 55,00 | 71,00 | 60,00 |
| TR120.0360 | 8,00 | 37,00 | 123,00 | 75,80 | 59,50 | 80,00 | 60,00 |
| TR150.0360 | 8,00 | 45,00 | 149,00 | 82,00 | 62,00 | 103,00 | 60,00 |

Standard Roller STR---.6200



- This roller with axial bearing gives 40% higher load capacity.
- Lubricated for lifetime.
- Special dimensions on request.

Use profile UP---.0700

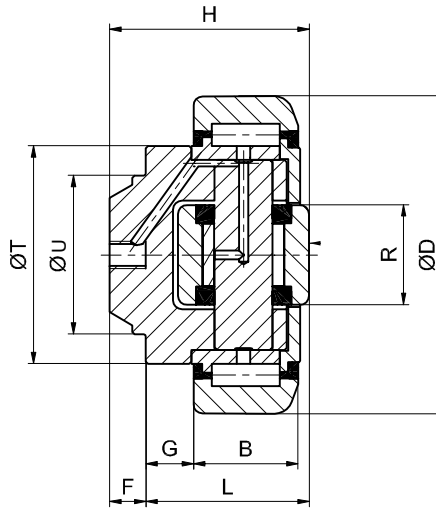
Order example: STR 080.6200 (Standard roller STR 080.6200)

Dimensions in mm.

| Designation | System Load Capacity Radial | System Load Capacity Axial | A | B | C | D | E | F |
|-------------|-----------------------------|----------------------------|-------|-------|--------|--------|-------|--------|
| STR060.6200 | 8870 N | 7000 N | 38,00 | 20,00 | 70,00 | 50,00 | 10,00 | 50,00 |
| STR070.6200 | 11400 N | 11000 N | 42,00 | 24,00 | 80,00 | 60,00 | 10,00 | 60,00 |
| STR080.6200 | 12870 N | 11000 N | 46,00 | 24,00 | 100,00 | 70,00 | 15,00 | 70,00 |
| STR090.6200 | 20370 N | 13000 N | 46,00 | 24,00 | 120,00 | 90,00 | 15,00 | 90,00 |
| STR110.6200 | 20000 N | 24060 N | 54,00 | 28,00 | 140,00 | 100,00 | 20,00 | 100,00 |
| STR120.6200 | 33440 N | 20000 N | 58,00 | 28,00 | 140,00 | 100,00 | 20,00 | 100,00 |
| STR150.6200 | 51940 N | 20000 N | 54,00 | 28,00 | 160,00 | 120,00 | 20,00 | 120,00 |

| Designation | G | H | I | J | K | M | N | O | P | R |
|-------------|--------|-------|-------|-------|--------|--------|-------|------|---------|---------|
| STR060.6200 | 70,00 | 41,50 | 12,00 | 35,00 | 55,00 | 118,00 | 42,50 | Ø 40 | 4 x M10 | Ø 62,5 |
| STR070.6200 | 80,00 | 49,00 | 15,00 | 40,00 | 65,00 | 137,00 | 51,00 | Ø 47 | 4 x M12 | Ø 70,1 |
| STR080.6200 | 100,00 | 48,50 | 15,00 | 50,00 | 75,00 | 157,00 | 51,50 | Ø 47 | 4 x M12 | Ø 77,7 |
| STR090.6200 | 120,00 | 61,00 | 20,00 | 60,00 | 85,00 | 183,00 | 64,00 | Ø 52 | 4 x M16 | Ø 88,4 |
| STR110.6200 | 140,00 | 71,50 | 20,00 | 70,00 | 105,00 | 223,00 | 75,00 | Ø 72 | 4 x M16 | Ø 107,1 |
| STR120.6200 | 140,00 | 71,50 | 20,00 | 70,00 | 107,00 | 225,00 | 76,00 | Ø 72 | 4 x M16 | Ø 123 |
| STR150.6200 | 160,00 | 79,00 | 25,00 | 80,00 | 120,00 | 248,00 | 83,50 | Ø 72 | 4 x M16 | Ø 149 |

Heavy Roller Fixed XTR---.0200



- Up to 60% higher load capacity.
- Extra sustainable.
- Extra exact.
- Extra strong.
- Extra long-lasting.

Use profile XUP---.0700.

Fixing square element BQ---.1000. Rectangular fixing element BR---.1100.

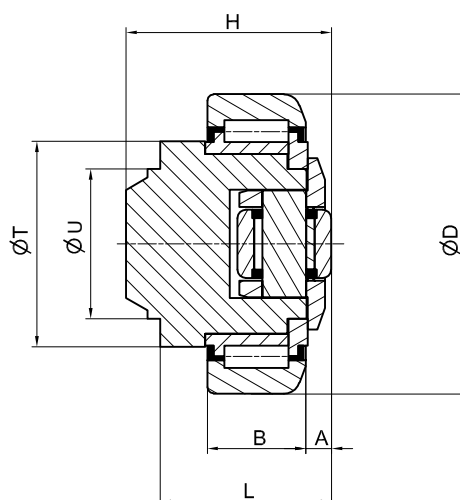
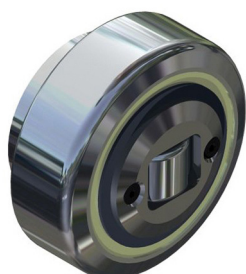
Note! Dynamic load capacity refers to bearing.

Dimensions in mm

| Designation | Dynamic Load Capacity Radial | Dynamic Load Capacity Axial | System Load Capacity Radial | System Load Capacity Axial |
|-------------|------------------------------|-----------------------------|-----------------------------|----------------------------|
| XTR060.0200 | 31000 N | 11000 N | 15390 N | 3800 N |
| XTR070.0200 | 45500 N | 13000 N | 16430 N | 4100 N |
| XTR080.0200 | 48000 N | 18000 N | 18210 N | 6500 N |
| XTR090.0200 | 68000 N | 23000 N | 31680 N | 6600 N |
| XTR110.0200 | 81000 N | 31000 N | 34850 N | 11500 N |
| XTR120.0200 | 110000 N | 43000 N | 47430 N | 12700 N |
| XTR150.0200 | 151000 N | 68000 N | 82190 N | 22600 N |

| Designation | B | D | F | G | H | L | R | T | U |
|-------------|-------|--------|-------|-------|-------|-------|-------|--------|-------|
| XTR060.0200 | 20,00 | 65,50 | 7,00 | 9,00 | 37,50 | 30,50 | 20,00 | 42,00 | 30,00 |
| XTR070.0200 | 23,00 | 73,80 | 8,00 | 10,50 | 44,00 | 36,00 | 22,00 | 48,00 | 35,00 |
| XTR080.0200 | 23,00 | 81,70 | 11,50 | 10,50 | 48,00 | 36,50 | 24,00 | 54,00 | 40,00 |
| XTR090.0200 | 30,00 | 92,40 | 13,00 | 10,50 | 57,00 | 44,00 | 26,00 | 59,00 | 45,00 |
| XTR110.0200 | 31,00 | 111,40 | 14,00 | 20,00 | 69,00 | 55,00 | 34,00 | 71,00 | 60,00 |
| XTR120.0200 | 37,00 | 126,80 | 16,30 | 14,00 | 72,30 | 56,00 | 40,00 | 80,00 | 60,00 |
| XTR150.0200 | 45,00 | 153,10 | 20,00 | 8,50 | 78,50 | 58,50 | 50,00 | 103,00 | 60,00 |

Heavy Roller XTR---.0300



- Combined – adjustable with insert washer.
- Extra sustainable.
- Extra exact.
- Extra strong.
- Extra long-lasting.
- Adjustment of dimension A by using a shim.

Use profile XUP---.0700.

Fixing square element BQ---.1000. Rectangular fixing element BR---.1100.

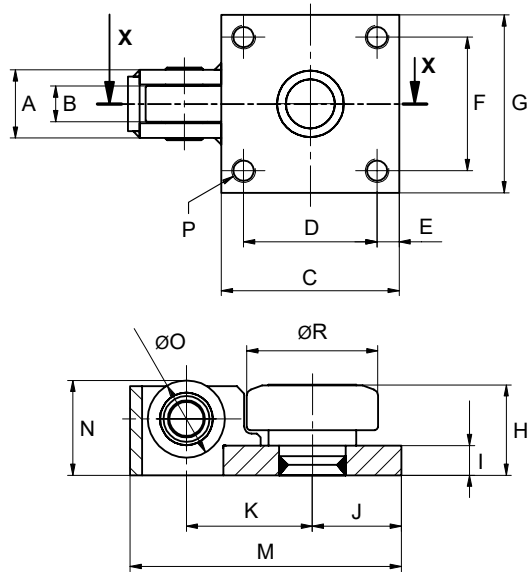
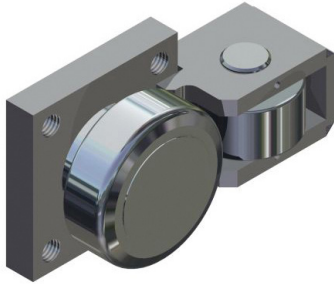
Note! Dynamic load capacity refers to bearing.

Dimensions in mm

| Designation | Dynamic Load Capacity Radial | Dynamic Load Capacity Axial | System Load Capacity Radial | System Load Capacity Axial |
|-------------|------------------------------|-----------------------------|-----------------------------|----------------------------|
| XTR060.0300 | 31000 N | 8000 N | 15390 N | 3800 N |
| XTR070.0300 | 45500 N | 13000 N | 16430 N | 4100 N |
| XTR080.0300 | 48000 N | 14000 N | 18210 N | 6500 N |
| XTR090.0300 | 68000 N | 15000 N | 31680 N | 6600 N |
| XTR110.0300 | 81000 N | 31000 N | 34850 N | 11500 N |
| XTR120.0300 | 110000 N | 31000 N | 47430 N | 12700 N |
| XTR150.0300 | 151000 N | 68000 N | 82190 N | 22600 N |

| Designation | A | B | D | H | L | T | U |
|-------------|-------|-------|--------|-------|-------|--------|-------|
| XTR060.0300 | 5,50 | 20,00 | 65,50 | 43,00 | 33,00 | 42,00 | 30,00 |
| XTR070.0300 | 6,50 | 23,00 | 73,80 | 48,00 | 40,00 | 48,00 | 35,00 |
| XTR080.0300 | 7,00 | 23,00 | 81,70 | 50,50 | 39,50 | 54,00 | 40,00 |
| XTR090.0300 | 7,00 | 30,00 | 92,40 | 61,00 | 48,00 | 59,00 | 45,00 |
| XTR110.0300 | 8,00 | 31,00 | 111,40 | 69,00 | 55,00 | 71,00 | 60,00 |
| XTR120.0300 | 8,00 | 37,00 | 126,80 | 75,80 | 59,50 | 80,00 | 60,00 |
| XTR150.0300 | 15,00 | 45,00 | 153,10 | 89,00 | 69,00 | 103,00 | 60,00 |

Heavy Roller XSTR---.6200



- Axial roller with 35% higher load capacity.
- Extra sustainable.
- Extra exact.
- Extra strong.
- Extra long-lasting.
- Special dimensions on request.

Use profile XUP---.0700

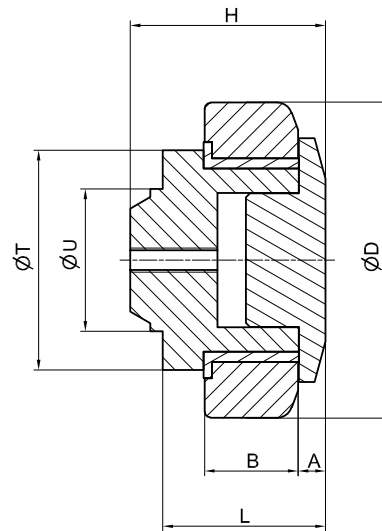
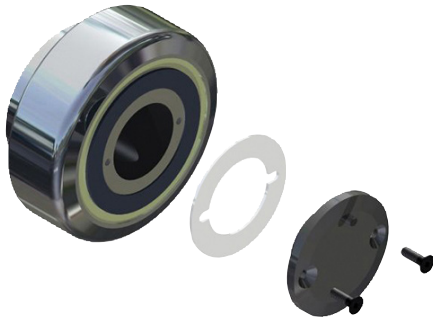
Order example: XSTR080.6200 (Heavy roller XSTR080.6200)

Dimensions in mm.

| Designation | System Load Capacity Radial | System Load Capacity Axial | A | B | C | D | E | F |
|--------------|-----------------------------|----------------------------|-------|-------|--------|--------|-------|--------|
| XSTR060.6200 | 15390 N | 9000 N | 38,00 | 20,00 | 70,00 | 50,00 | 10,00 | 50,00 |
| XSTR070.6200 | 16430 N | 14000 N | 42,00 | 24,00 | 80,00 | 60,00 | 10,00 | 60,00 |
| XSTR080.6200 | 18210 N | 14000 N | 46,00 | 24,00 | 100,00 | 70,00 | 15,00 | 70,00 |
| XSTR090.6200 | 31680 N | 17000 N | 46,00 | 24,00 | 120,00 | 90,00 | 15,00 | 90,00 |
| XSTR110.6200 | 34850 N | 27000 N | 54,00 | 28,00 | 140,00 | 100,00 | 20,00 | 100,00 |
| XSTR120.6200 | 47430 N | 27000 N | 54,00 | 28,00 | 140,00 | 100,00 | 20,00 | 100,00 |
| XSTR150.6200 | 82190 N | 27000 N | 54,00 | 28,00 | 160,00 | 120,00 | 20,00 | 120,00 |

| Designation | G | H | I | J | K | M | N | O | P | R |
|--------------|--------|-------|-------|-------|--------|--------|-------|------|---------|---------|
| XSTR060.6200 | 70,00 | 41,50 | 12,00 | 35,00 | 55,00 | 118,00 | 42,50 | Ø 40 | 4 x M10 | Ø 65,5 |
| XSTR070.6200 | 80,00 | 49,00 | 15,00 | 40,00 | 65,00 | 137,00 | 51,00 | Ø 47 | 4 x M12 | Ø 73,8 |
| XSTR080.6200 | 100,00 | 48,50 | 15,00 | 50,00 | 75,00 | 157,00 | 51,50 | Ø 47 | 4 x M12 | Ø 81,7 |
| XSTR090.6200 | 120,00 | 61,00 | 20,00 | 60,00 | 85,00 | 183,00 | 64,00 | Ø 52 | 4 x M16 | Ø 92,4 |
| XSTR110.6200 | 140,00 | 71,50 | 20,00 | 70,00 | 105,00 | 223,00 | 75,00 | Ø 72 | 4 x M16 | Ø 111,4 |
| XSTR120.6200 | 140,00 | 71,50 | 20,00 | 70,00 | 107,00 | 225,00 | 76,00 | Ø 72 | 4 x M16 | Ø 126,8 |
| XSTR150.6200 | 160,00 | 79,00 | 25,00 | 80,00 | 80,00 | 248,00 | 83,50 | Ø 72 | 4 x M16 | Ø 153,1 |

Stainless Roller TR---.0390



- Combined – fixed with oilamide sliding block
- Completely made of 1.4301 stainless steel with bearing bush out of synthetic material.

Use profile UP---.0780.

Fixing square element BQ---.4000. Rectangular fixing element BR---.4100.

For the adjustment of the axial clearance (A) distance rings will be used.

Order example: TR080.0390 (Roller, stainless, Ø 77,7 mm)

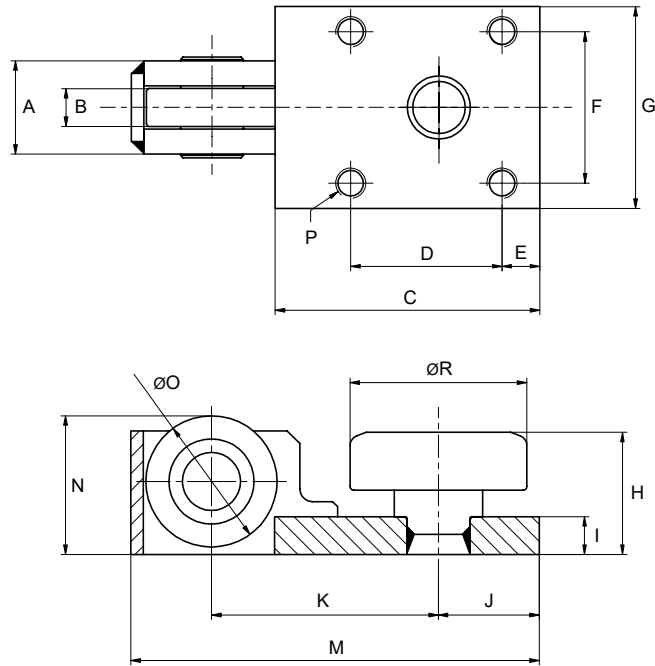
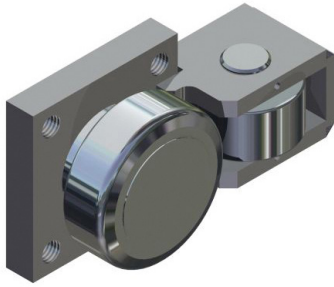
Note! Dynamic load capacity refers to bearing

Dimensions in mm

| Designation | Dynamic Load Capacity Radial | System Load Capacity Radial | System Load Capacity Axial |
|-------------|------------------------------|-----------------------------|----------------------------|
| TR050.0390 | 3700 N | 3500 N | 2000 N |
| TR070.0390 | 7000 N | 6000 N | 3000 N |
| TR080.0390 | 7500 N | 7200 N | 4000 N |

| Designation | A | B | D | H | L | T | U |
|-------------|------|-------|-------|-------|-------|-------|-------|
| TR050.0390 | 5,00 | 17,00 | 52,50 | 33,00 | 28,00 | 42,00 | 30,00 |
| TR070.0390 | 6,50 | 23,00 | 70,10 | 48,00 | 40,00 | 54,00 | 35,00 |
| TR080.0390 | 7,00 | 23,00 | 77,70 | 50,50 | 39,50 | 54,00 | 40,00 |

Stainless Roller STR---.4200



- Completely made of 1.4301 stainless steel with bearing bush out of synthetic material.

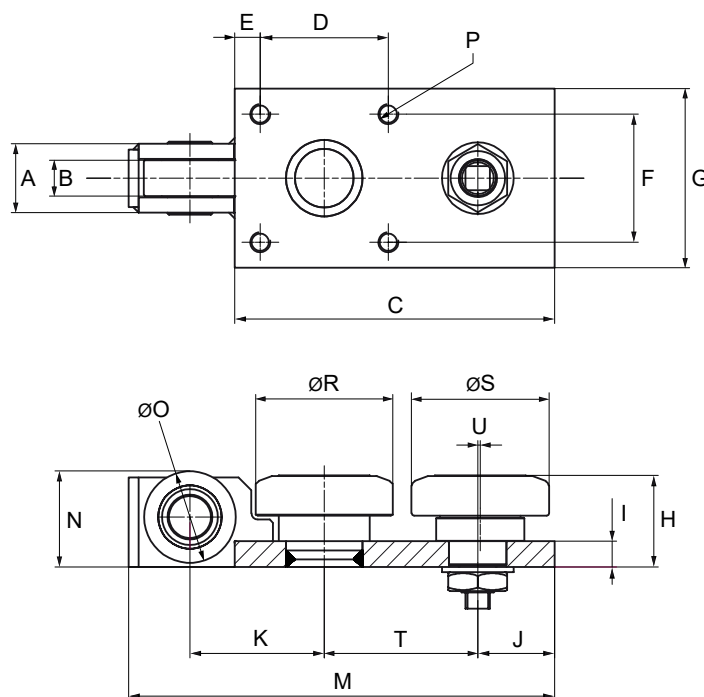
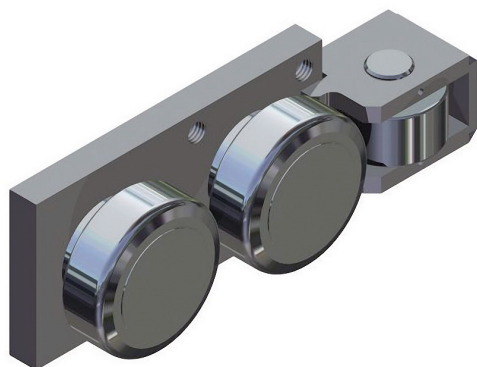
Use profile UP---.0780

Dimensions in mm.

| Designation | System Load Capacity Radial | System Load Capacity Axial | A | B | C | D | E | F |
|-------------|-----------------------------|----------------------------|-------|-------|--------|-------|-------|-------|
| STR070.4200 | 6000 N | 3000 N | 37,00 | 15,00 | 105,00 | 60,00 | 15,00 | 60,00 |
| STR080.4200 | 7200 N | 3000 N | 37,00 | 15,00 | 105,00 | 60,00 | 15,00 | 60,00 |

| Designation | G | H | I | J | K | M | N | O | P | R |
|-------------|-------|-------|-------|-------|-------|--------|-------|------------------|---------|------------------|
| STR070.4200 | 80,00 | 48,50 | 15,00 | 40,00 | 90,00 | 162,00 | 55,00 | $\varnothing 55$ | 4 x M12 | $\varnothing 52$ |
| STR080.4200 | 80,00 | 48,50 | 15,00 | 40,00 | 90,00 | 162,00 | 55,00 | $\varnothing 55$ | 4 x M12 | $\varnothing 52$ |

Heavy Duty Guideway Unit SFE---.5200



- Heavy duty guideway unit axial bearing with 40 % higher load capacity
- Eccentric bearing adjustable to minimize clearance.
- Lubricated for lifetime.

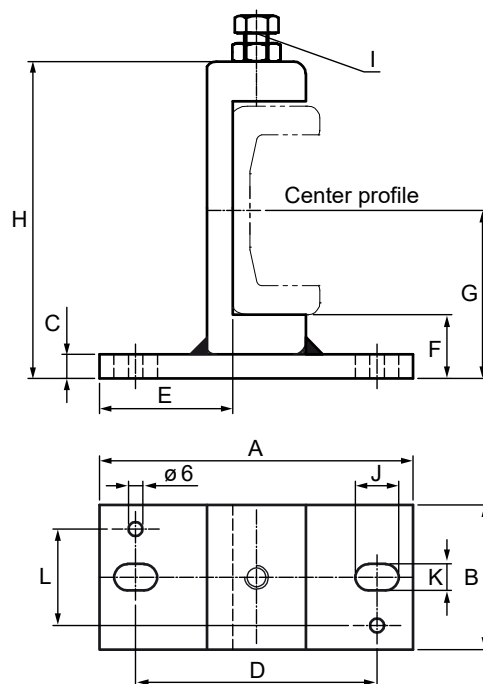
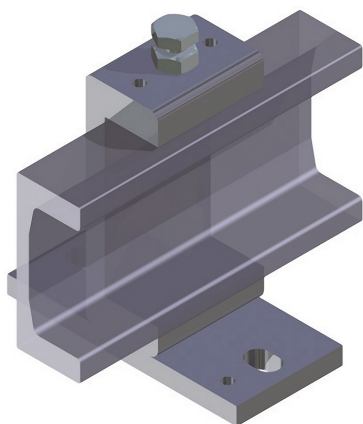
Special dimensions on request.

Dimensions in mm

| Designation | System Load Capacity Radial | System Load Capacity Axial | A | B | C | D | E | F | G |
|-------------|-----------------------------|----------------------------|----|----|-----|-----|----|-----|-----|
| SFE060.5200 | 8870 N | 7000 N | 38 | 20 | 140 | 50 | 10 | 50 | 70 |
| SFE070.5200 | 11400 N | 11000 N | 42 | 24 | 160 | 60 | 10 | 60 | 80 |
| SFE080.5200 | 12870 N | 11000 N | 46 | 24 | 180 | 70 | 15 | 70 | 100 |
| SFE090.5200 | 20370 N | 13000 N | 45 | 24 | 210 | 90 | 15 | 90 | 120 |
| SFE110.5200 | 24060 N | 20000 N | 54 | 28 | 250 | 100 | 20 | 100 | 140 |
| SFE120.5200 | 33440 N | 20000 N | 54 | 28 | 280 | 100 | 20 | 100 | 140 |
| SFE150.5200 | 51940 N | 20000 N | 54 | 28 | 325 | 120 | 20 | 120 | 160 |

| Designation | H | I | J | K | M | N | O | P | R | S | T | U |
|-------------|------|----|----|-----|-----|------|----|-------|-------|-------|-----|---|
| SFE060.5200 | 41,5 | 12 | 35 | 55 | 188 | 42,5 | 40 | 4xM10 | 62,5 | 62,7 | 70 | 2 |
| SFE070.5200 | 49 | 15 | 40 | 65 | 217 | 51 | 47 | 4xM12 | 70,1 | 70,1 | 80 | 2 |
| SFE080.5200 | 48,5 | 15 | 45 | 75 | 237 | 51,5 | 47 | 4xM12 | 77,7 | 77,7 | 85 | 2 |
| SFE090.5200 | 61 | 20 | 50 | 85 | 273 | 64 | 52 | 4xM16 | 88,4 | 88,4 | 100 | 2 |
| SFE110.5200 | 71,5 | 20 | 60 | 105 | 333 | 75 | 72 | 4xM16 | 107,1 | 107,7 | 120 | 2 |
| SFE120.5200 | 71,5 | 20 | 70 | 107 | 365 | 76 | 72 | 4xM16 | 123 | 123 | 140 | 2 |
| SFE150.5200 | 79 | 25 | 80 | 80 | - | 83,5 | 72 | 4xM16 | 149 | 149 | 165 | 3 |

Clamp Console KS---.3650



Clamp console for U-profi les and precision U-profi les from size 050 up to 090.

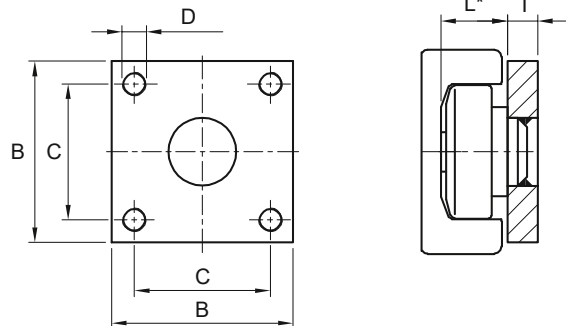
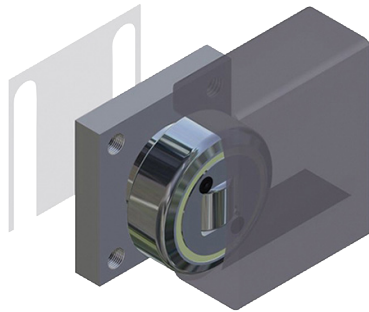
Ordering example: KS 060.3650 (Clamp console for U-Profile size 060)

Further sizes and other types are available on request. Please contact Rollco for more information.

Dimensions in mm.

| Designation | A | B | C | D | E | F | G | H | I | J | K | L |
|-------------|-----|----|----|-----|------|------|-------|-------|-----|----|----|----|
| KS050.3650 | 100 | 60 | 10 | 70 | 38,5 | 20,5 | 53,0 | 96,5 | M8 | 16 | 10 | 40 |
| KS060.3650 | 130 | 60 | 10 | 100 | 55,3 | 26,4 | 69,7 | 131,3 | M10 | 18 | 12 | 40 |
| KS070.3650 | 130 | 60 | 10 | 100 | 51,2 | 25,2 | 77 | 145,4 | M10 | 18 | 12 | 40 |
| KS080.3650 | 160 | 80 | 15 | 130 | 63,4 | 32,1 | 92,7 | 172,2 | M12 | 20 | 14 | 60 |
| KS090.3650 | 160 | 80 | 15 | 130 | 63,1 | 33,8 | 101,5 | 190,0 | M12 | 20 | 14 | 60 |

Fixing Element Square BQ---.1000



- The fixing element is welded with the respective combined roller.
- Special dimensions on request.

Order example: Roller + Mounting plate TR070.0200/BQ1000

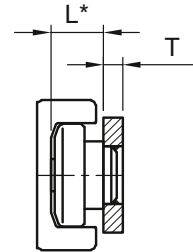
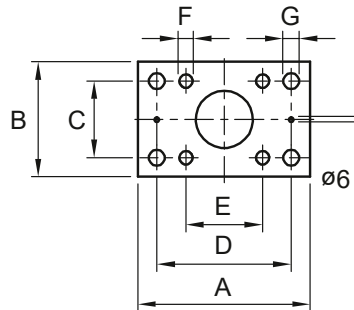
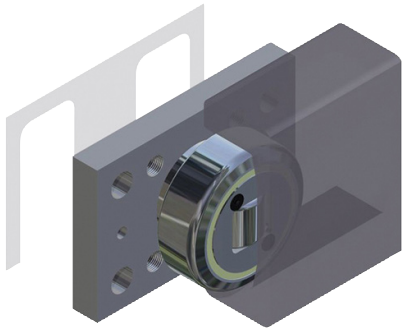
(Roller, combined, fixed, Ø 70,1 mm - welded with mounting plate 120 x 80 x 15 mm)

Dimensions in mm.

| Designation | B | C | D | T | Remark |
|-------------|--------|--------|-----|-------|---|
| 50-BQ1000 | 60,00 | 40,00 | M8 | 10,00 | Roller: TR050.--- Plate: BQ1000 Distance sheet: BQ050.1405, BQ050.1410 |
| 60-BQ1000 | 70,00 | 50,00 | M10 | 12,00 | Roller: TR060.--- / XTR060.--- Plate: BQ1000 Distance sheet: BQ060.1405, BQ060.1410 |
| 70-BQ1000 | 80,00 | 60,00 | M12 | 15,00 | Roller: TR070.--- / XTR070.--- Plate: BQ1000 Distance sheet: BQ070.1405, BQ070.1410 |
| 80-BQ1000 | 100,00 | 70,00 | M12 | 15,00 | Roller: TR080.--- / XTR080.--- Plate: BQ1000 Distance sheet: BQ080.1405, BQ080.1410 |
| 90-BQ1000 | 120,00 | 90,00 | M16 | 20,00 | Roller: TR090.--- / XTR090.--- Plate: BQ1000 Distance sheet: BQ090.1405, BQ090.1410 |
| 110-BQ1000 | 140,00 | 100,00 | M16 | 20,00 | Roller: TR110.--- / XTR110.--- Plate: BQ1000 Distance sheet: BQ110.1405, BQ110.1410 |
| 120-BQ1000 | 140,00 | 100,00 | M16 | 20,00 | Roller: TR120.--- / XTR120.--- Plate: BQ1000 Distance sheet: BQ120.1405, BQ120.1410 |
| 150-BQ1000 | 160,00 | 120,00 | M16 | 25,00 | Roller: TR150.--- / XTR150.--- Plate: BQ1000 Distance sheet: BQ150.1405, BQ150.1410 |
| 180-BQ1000 | 200,00 | 150,00 | M20 | 30,00 | Roller: TR180.--- Plate: BQ1000 Distance sheet: BQ180.1405, BQ180.1410 |

*For L measurement, see respective roller.

Fixing Element Rectangular BR---.1100



- The fixing element is welded with the respective combined roller
- Special dimensions on request.

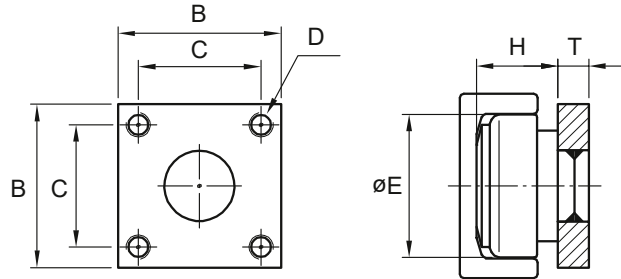
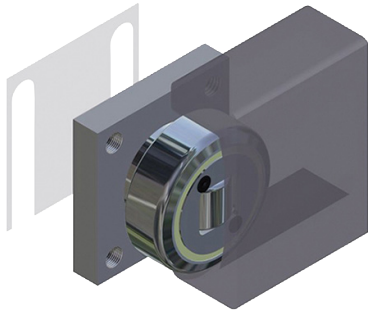
Order example: Roller + fixing element TR070.0200/BR 1100
 (Roller, combined, fixed, Ø 70,1 mm - welded with mounting plate 120 x 80 x 15 mm)

Dimensions in mm.

| Designation | A | B | C | D | E | F | G | T | Remark |
|-------------|--------|--------|--------|--------|--------|-----|-------|-------|--|
| 50-BR1100 | 100,00 | 60,00 | 40,00 | 80,00 | 40,00 | M10 | 10,50 | 10,00 | Roller: TR050.--- Plate: BR1100 Distance sheet: BR050.1505, BR050.1510 |
| 60-BR1100 | 100,00 | 60,00 | 40,00 | 80,00 | 40,00 | M10 | 10,50 | 10,00 | Roller: TR060.--- / XTR060.--- Plate: BR1100 Distance sheet: BR060.1505, BR060.1510 |
| 70-BR1100 | 120,00 | 80,00 | 50,00 | 90,00 | 50,00 | M12 | 13,00 | 15,00 | Roller: TR070.--- / XTR070.--- Plate: BR1100 Distance sheet: BR070.1505, BR070.1510 |
| 80-BR1100 | 120,00 | 80,00 | 50,00 | 90,00 | 50,00 | M12 | 13,00 | 15,00 | Roller: TR080.--- / XTR080.--- Plate: BR1100 Distance sheet: BR080.1505, BR080.1510 |
| 90--BR1100 | 160,00 | 100,00 | 60,00 | 120,00 | 60,00 | M16 | 17,00 | 20,00 | Roller: TR090.--- / XTR090.--- Plate: BR1100 Distance sheet: BR090.1505, BR090.1510 |
| 110-BR1100 | 180,00 | 120,00 | 80,00 | 140,00 | 80,00 | M16 | 17,00 | 20,00 | Roller: TR110.--- / XTR110.--- Plate: BR1100 Distance sheet: BR110.1505, BR110.1510 |
| 120-BR1100 | 80,00 | 120,00 | 80,00 | 140,00 | 80,00 | M16 | 17,00 | 20,00 | Roller: TR120.--- / XTR120.--- Plate: BR1100 Distance sheet: BR120.1505, BR120.1510 |
| 150-BR1100 | 200,00 | 150,00 | 100,00 | 160,00 | 100,00 | M16 | 17,00 | 20,00 | Roller: TR150.--- / XTR150.--- Plate: BR1100 Distance sheet: BR150.1505, BR150.1510 |

*For L measurement, see respective roller.

Stainless Fixing Element Square BQ---.4000



- The fixing element is welded with the respective combined roller.

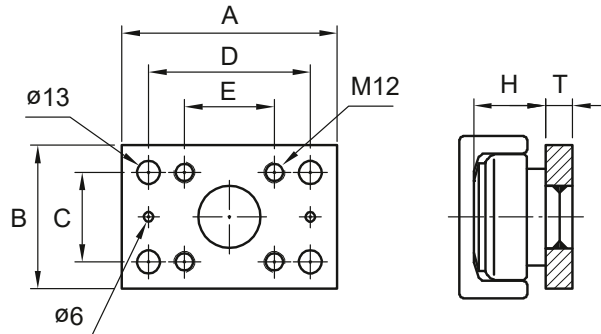
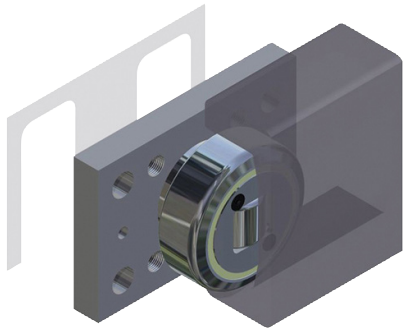
Order example: Roller + fixing element TR080.0390/BQ4000

Roller, adjustable, \varnothing 77,7 mm, INOX - welded to mounting plate 120 x 80 x 15 mm, INOX

Dimensions in mm.

| Designation | B | C | D | E | H | T | Remark |
|-------------|-------|-------|-----|-------|-------|-------|--------------------|
| 50-BQ4000 | 60,00 | 40,00 | M8 | 52,50 | 28,00 | 10,00 | Roller: TR050.0390 |
| 70-BQ4000 | 80,00 | 60,00 | M12 | 70,10 | 40,00 | 15,00 | Roller: TR070.0390 |
| 80-BQ4000 | 80,00 | 60,00 | M12 | 77,70 | 39,50 | 15,00 | Roller: TR080.0390 |

Stainless Fixing Element Rectangular BR---.4100

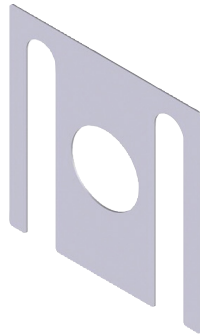


- The fixing element is welded with the respective combined roller.

Dimensions in mm.

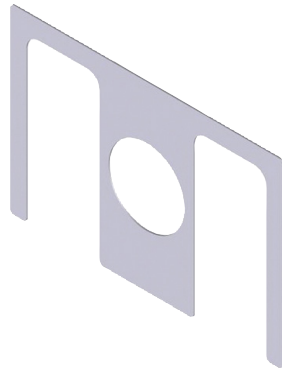
| Designation | A | B | C | D | E | H | T | Remark |
|-------------|--------|-------|-------|-------|-------|-------|-------|--------------------|
| 70-BR4100 | 120,00 | 80,00 | 50,00 | 90,00 | 50,00 | 40,00 | 15,00 | Roller: TR070.0390 |
| 80-BR4100 | 120,00 | 80,00 | 50,00 | 60,00 | 50,00 | 39,50 | 15,00 | Roller: TR080.0390 |

Distance Sheet BQ



| Designation | Material | Remark |
|----------------|-----------------|--------------|
| BQ050.1405 | Steel | 0,5 mm thick |
| BQ060.1405 | Steel | 0,5 mm thick |
| BQ070.1405 | Steel | 0,5 mm thick |
| BQ080.1405 | Steel | 0,5 mm thick |
| BQ090.1405 | Steel | 0,5 mm thick |
| BQ110/120.1405 | Steel | 0,5 mm thick |
| BQ120.1405 | Steel | 0,5 mm thick |
| BQ150.1405 | Steel | 0,5 mm thick |
| BQ050.1410 | Steel | 1,0 mm thick |
| BQ060.1410 | Steel | 1,0 mm thick |
| BQ070.1410 | Steel | 1,0 mm thick |
| BQ080.1410 | Steel | 1,0 mm thick |
| BQ090.1410 | Steel | 1,0 mm thick |
| BQ110/120.1410 | Steel | 1,0 mm thick |
| BQ120.1410 | Steel | 1,0 mm thick |
| BQ050.4405 | Stainless steel | 0,5 mm thick |
| BQ070/080.4405 | Stainless steel | 0,5 mm thick |
| BQ080.4405 | Stainless steel | 0,5 mm thick |
| BQ050.4410 | Stainless steel | 1,0 mm thick |
| BQ070/080.4410 | Stainless steel | 1,0 mm thick |
| BQ080.4410 | Stainless steel | 1,0 mm thick |

Distance Sheet BR



| Designation | Material | Remark |
|----------------|-----------------|--------------|
| BR050/060.1505 | Steel | 0,5 mm thick |
| BR060.1505 | Steel | 0,5 mm thick |
| BR080.1505 | Steel | 0,5 mm thick |
| BR090.1505 | Steel | 0,5 mm thick |
| BR120.1505 | Steel | 0,5 mm thick |
| BR150.1505 | Steel | 0,5 mm thick |
| BR180.1505 | Steel | 0,5 mm thick |
| BR050.1510 | Steel | 1,0 mm thick |
| BR060.1510 | Steel | 1,0 mm thick |
| BR070/080.1510 | Steel | 1,0 mm thick |
| BR080.1510 | Steel | 1,0 mm thick |
| BR090.1510 | Steel | 1,0 mm thick |
| BR110/120.1510 | Steel | 1,0 mm thick |
| BR120.1510 | Steel | 1,0 mm thick |
| BR180.1510 | Steel | 1,0 mm thick |
| BR050.4505 | Stainless steel | 0,5 mm thick |
| BR070.4505 | Stainless steel | 0,5 mm thick |
| BR080.4505 | Stainless steel | 0,5 mm thick |
| BR050.4510 | Stainless steel | 1,0 mm thick |
| BR070.4510 | Stainless steel | 1,0 mm thick |
| BR080.4510 | Stainless steel | 1,0 mm thick |

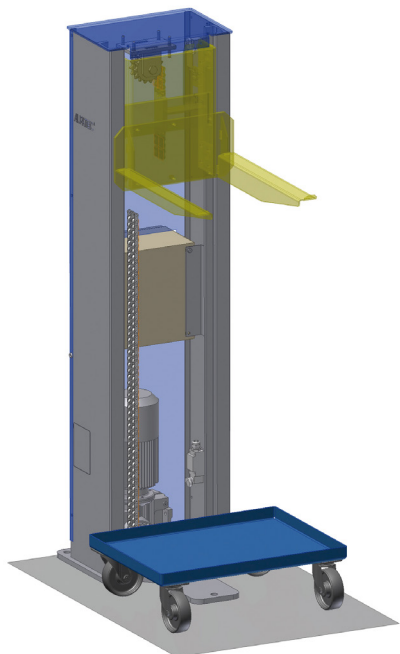
Distance Ring



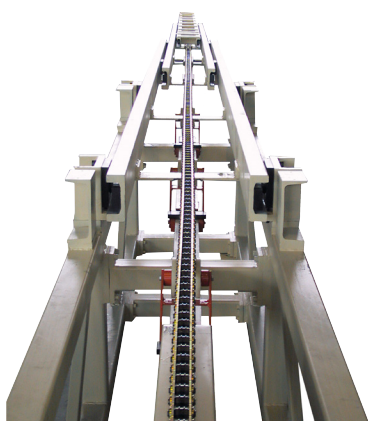
For adjustment of the axial clearance of Stainless Roller TR---.0390.

| Designation | Remark |
|-------------|--------------|
| DR050.4905 | 0,5 mm thick |
| DR070.4905 | 0,5 mm thick |
| DR080.4905 | 0,5 mm thick |
| DR050.4910 | 1,0 mm thick |
| DR070.4910 | 1,0 mm thick |
| DR080.4910 | 1,0 mm thick |

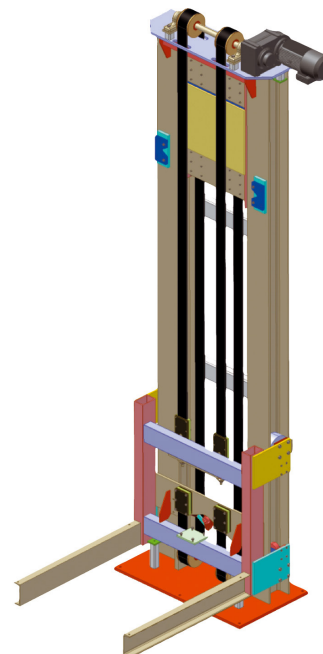
Application Examples



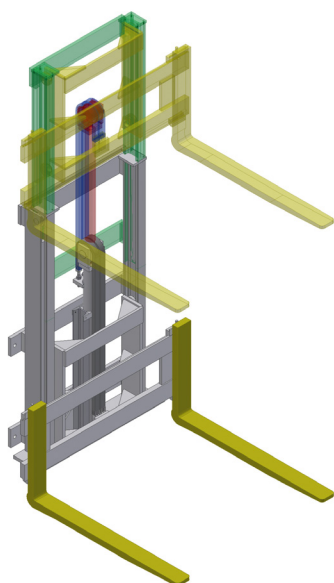
Box lifter. Electrical/pneumactical.
Up to 350 kg lifting capacity.



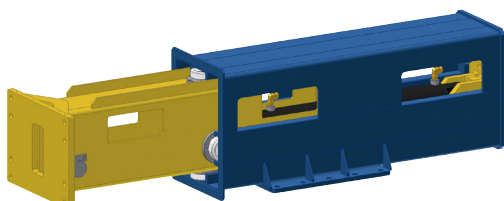
Telescope unit, vertical.



Lift systems. Belt transmission.
Up to 5000 kg lifting capacity.



Lift system, hydraulic.



Telescope unit, horizontal.

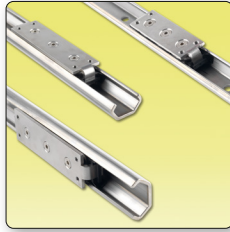


Lift system, hydraulic.

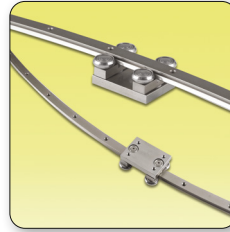
Rollco Products



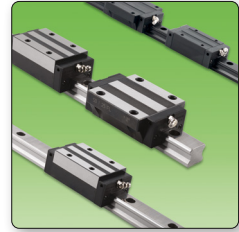
COMPACT RAIL



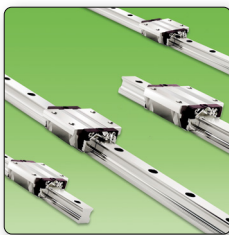
C-RAIL



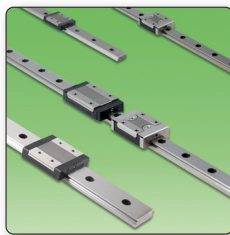
CURVI LINE



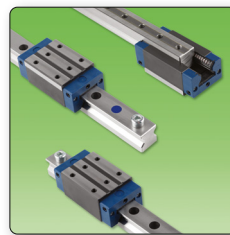
LINEAR RAIL SBI



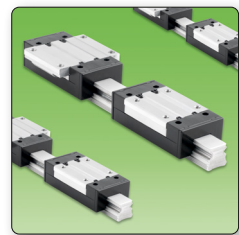
LINEAR RAIL
HRC/ARC/ERC



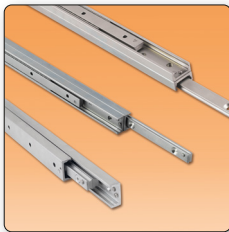
LINEAR MINIATURE
GUIDE



LINEAR ROLLER
GUIDE



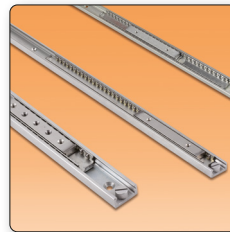
LINEAR RAIL
ALUMINIUM



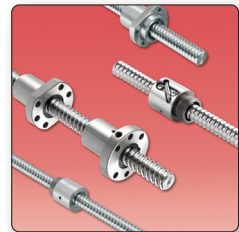
TELESCOPIC RAIL
HEAVY



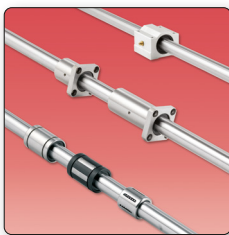
TELESCOPIC RAIL
LIGHT



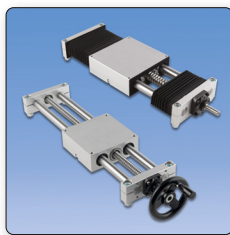
EASYSLIDE



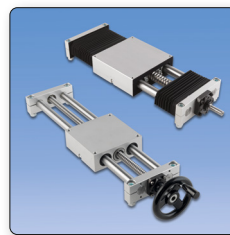
BALL SCREWS



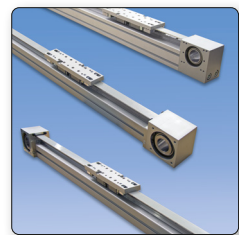
BALL BEARINGS
& STEEL SHAFTS



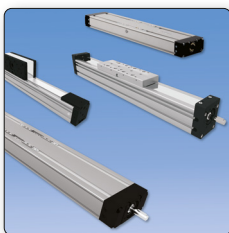
LINEAR UNIT QME



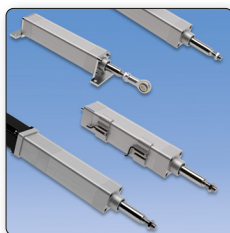
LINEAR UNIT QME



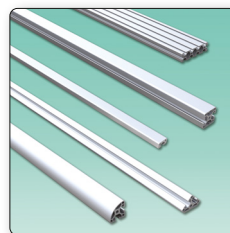
LINEAR UNIT E-SMART



LINEAR UNITS CT & MT



PNCE ELECTRO-
MECHANICAL CYLINDERS



ALUMINIUM PROFILES



BELT CONVEYORS

**ALWAYS THE RIGHT
SOLUTION AT THE RIGHT TIME.**

ROLLCO

LINEAR SOLUTIONS **YOUR WAY**

With reliability, competence and commitment Rollco rapidly delivers the right solutions and components to create safe and cost-effective automation and linear movement.

Rollco AB
Box 22234
Ekvändan 17
250 24 Helsingborg
Sweden
Tel. +46 42 150040
www.rollco.se

Rollco A/S
Skomagervej 13 E
7100 Vejle
Denmark
Tel. +45 7552 2666
www.rollco.dk

Rollco Oy
Sarankulmankatu 12
33900 Tampere
Finland
Tel. +358 207 57 97 90
www.rollco.fi

Rollco Norge AS
Industrigata 6
3414 Lierstrada
Norway
Tel. +47 32 84 00 34
www.rollco.no

Rollco Taiwan
No. 28, Lane 125, Da-an Road
Shulin District 238
New Taipei City, Taiwan
Tel. +886-2-8687-2726
Fax +886-2-8687-2720
www.rollco-tw.com