

Open Type KBA...UUOP

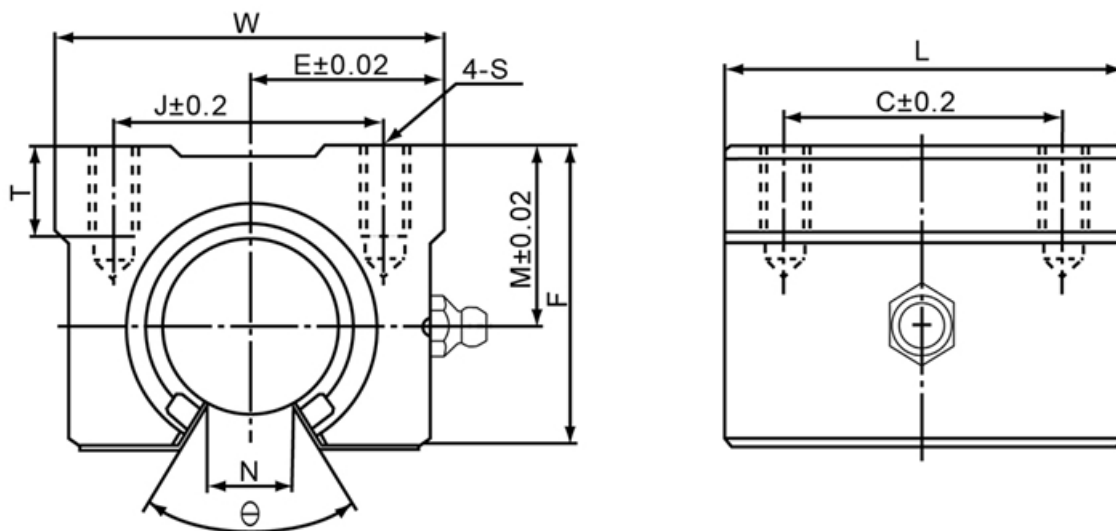
Dimensions in mm.
Other types available on request.



Variant Data

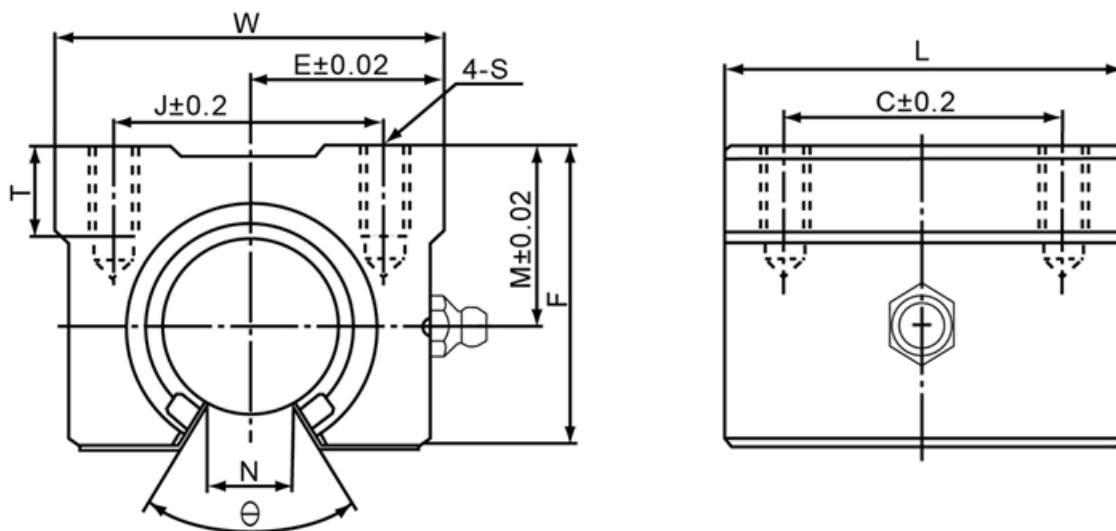
Designation	Dynamic Load Capacity	Static Load Capacity
KBA16UUOP	590 N	910 N
KBA20UUOP	880 N	1400 N
KBA25UUOP	1000 N	1600 N
KBA30UUOP	1600 N	2800 N
KBA40UUOP	2200 N	4100 N

Variant Measurement Data



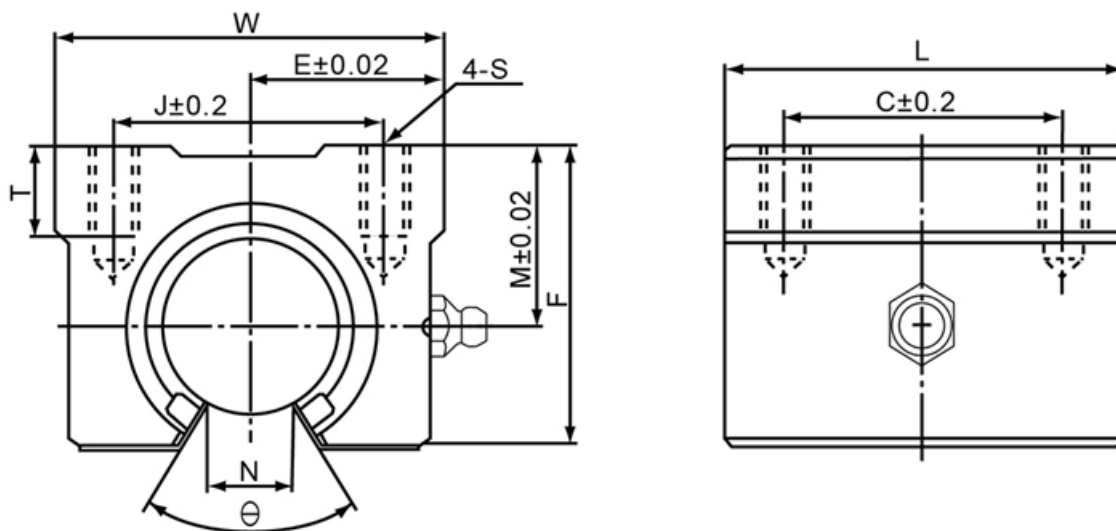
Designation	C	E	F	J	L
KBA16UUOP	30,00	22,50	33,00	32,00	45,00
KBA20UUOP	35,00	24,00	39,00	35,00	50,00
KBA25UUOP	40,00	30,00	47,00	40,00	65,00
KBA30UUOP	50,00	35,00	56,00	50,00	70,00
KBA40UUOP	65,00	45,00	72,00	65,00	90,00

Variant Measurement Data



Designation	M	N	S	T	W	Theta θ
KBA16UUOP	20,00	10,00	M5	12,00	45,00	60,00
KBA20UUOP	23,00	10,00	M6	12,00	48,00	60,00
KBA25UUOP	27,00	11,50	M6	12,00	60,00	60,00
KBA30UUOP	33,00	14,00	M8	18,00	70,00	60,00
KBA40UUOP	42,00	19,00	M10	20,00	90,00	60,00

Variant Measurement Data



Designation	Inscribed Circle Diameter
KBA16UUOP	16,00
KBA20UUOP	20,00
KBA25UUOP	25,00
KBA30UUOP	30,00
KBA40UUOP	40,00