

Open Type LME....UUOP

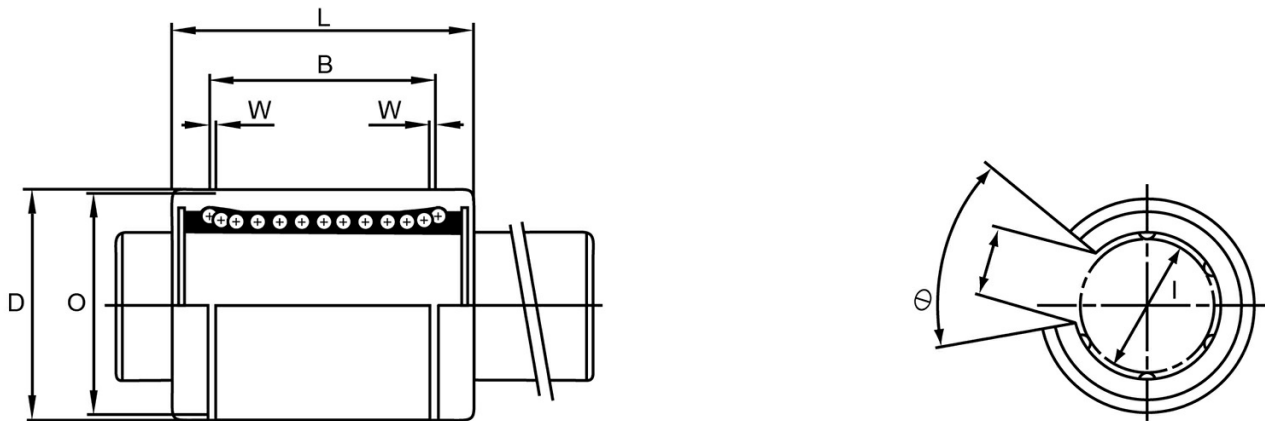
Dimensions in mm.
Other types available on request.



Variant Data

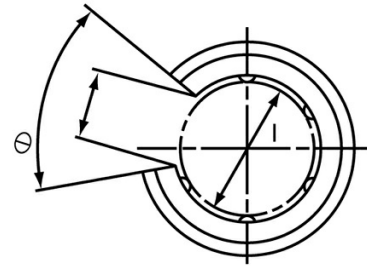
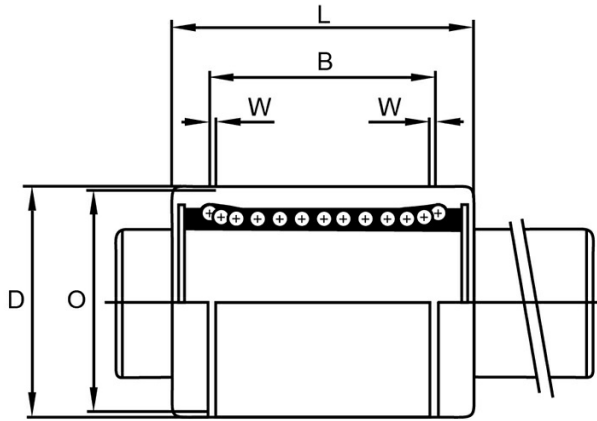
Designation	Number Of Ball Rows	Dynamic Load Capacity	Static Load Capacity
LME12UUOP	3,00	520 N	790 N
LME16UUOP	4,00	590 N	910 N
LME20UUOP	4,00	880 N	1400 N
LME25UUOP	5,00	1000 N	1600 N
LME30UUOP	5,00	1600 N	2800 N
LME40UUOP	5,00	2200 N	4000 N
LME50UUOP	5,00	3900 N	8100 N

Variant Measurements



Designation	B	D	I	L	O
LME12UUOP	22,90	22	12	32	21
LME16UUOP	24,90	26	16	36	24,90
LME20UUOP	31,50	32	20	45	30,30
LME25UUOP	44,10	40	25	58	37,50
LME30UUOP	52,10	47	30	68	44,50
LME40UUOP	60,60	62	40	80	59
LME50UUOP	77,60	75	50	100	72

Variant Measurements



Designation	W	Theta θ
LME12UUOP	1,30	78°
LME16UUOP	1,30	78°
LME20UUOP	1,60	60°
LME25UUOP	1,85	60°
LME30UUOP	1,85	60°
LME40UUOP	2,15	60°
LME50UUOP	2,65	60°