

Rollers for Solid Version

CONCENTRIC ROLLER

RSBN: Standard bearing steel

RXBN: Stainless steel

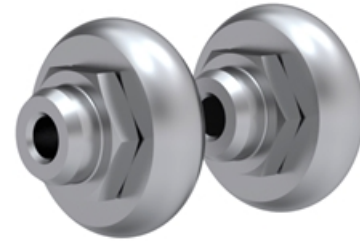
ECCENTRIC ROLLER

RSBA: standard bearing steel

RXBA: Stainless bearing steel

Standard slider is with 3 rollers. The rollers can also be mounted directly into your application or we can make special sliders according to your need. Please contact Rollco for more information.

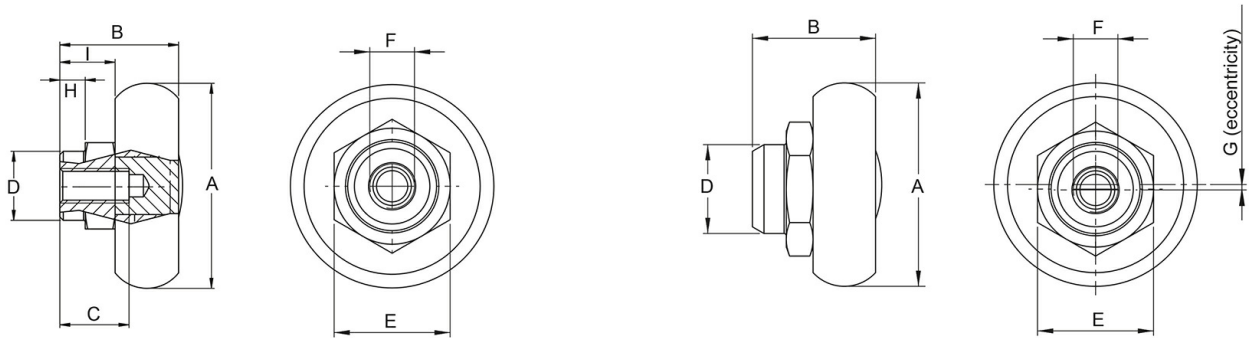
A, B and D = with rail



Variant Data

Designation	Weight
RSBN20-2Z	0,006 kg
RXBN20-2RS	0.006 kg
RSBA20-2Z	0.006 kg
RXBA20-2RS	0.006 kg
RSBN30-2Z	0.022 kg
RXBN30-2RS	0.022 kg
RSBA30-2Z	0.022 kg
RXBA30-2RS	0.022 kg
RSBN45-2Z	0.07 kg
RXBN45-2RS	0.07 kg
RSBA45-2Z	0.07 kg
RXBA45-2RS	0.07 kg

Variant Measurements



Designation	A	B	C	D	E	F	G	H	I
RSBN20-2Z	14	8,70	6	6	8	M4	-	1,80	4,70
RXBN20-2RS	14	8,70	6	6	8	M4	-	1,80	4,70
RSBA20-2Z	14	8,70	6	6	8	M4	0,50	1,80	4,70
RXBA20-2RS	14	8,70	6	6	8	M4	0,50	1,80	4,70
RSBN30-2Z	22,80	13,80	7	10	13	M5	-	3,80	6,80
RXBN30-2RS	22,80	13,80	7	10	13	M5	-	3,80	6,80
RSBA30-2Z	22,80	13,80	7	10	13	M5	0,60	3,80	6,80
RXBA30-2RS	22,80	13,80	7	10	13	M6	0,60	3,80	6,80
RSBN45-2Z	35,60	20,60	12	12	15	M6	-	4,50	9,60
RXBN45-2RS	35,60	20,60	12	12	15	M6	-	4,50	9,60
RSBA45-2Z	35,60	20,60	12	12	15	M6	0,80	4,50	9,60
RXBA45-2RS	35,60	20,60	12	12	15	M6	0,80	4,50	9,60