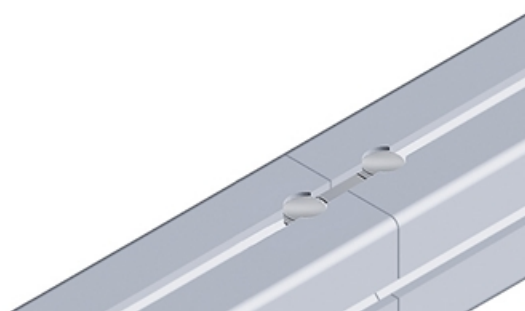
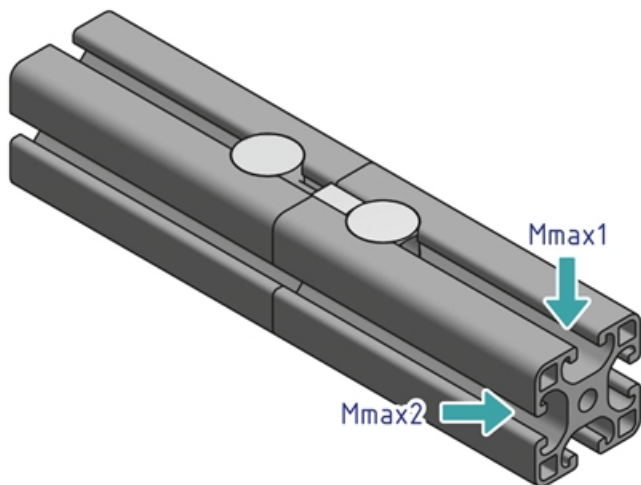
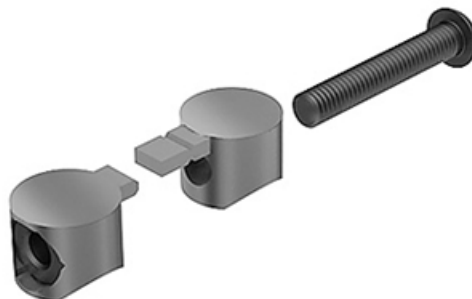


Universal Butt Fastening Set 8

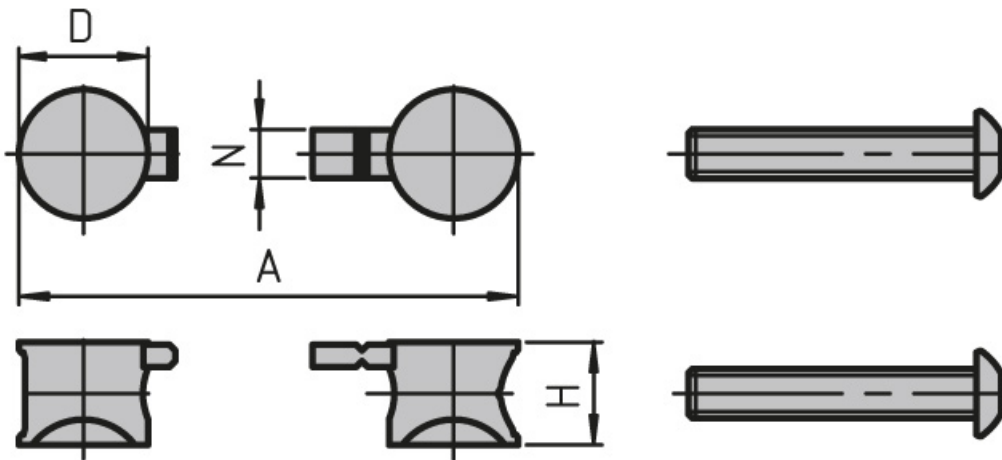
Links the face ends of two aluminium profile from the same series. Supplied with mounting kit. Set consists of 2 universal connectors, 1 M8 × 45 fillister head screw (ISO7380), 1 M8 nut (DIN934).

Material: Galvanised die-cast zinc

System: 40



Variant Data



Designation	Slot	A	D	H	Mmax1 (Nm)
PV1030	8	60	19.7	16	150

Designation	Mmax2 (Nm)
PV1030	150