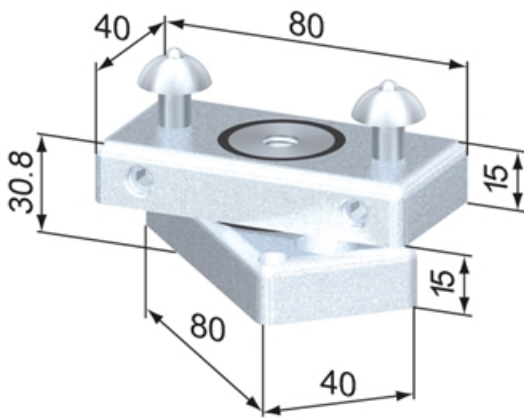
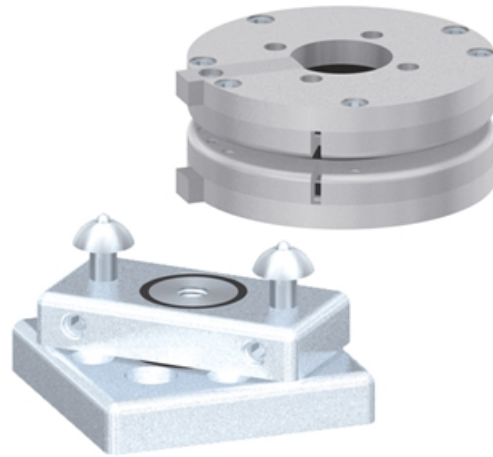


Turntables

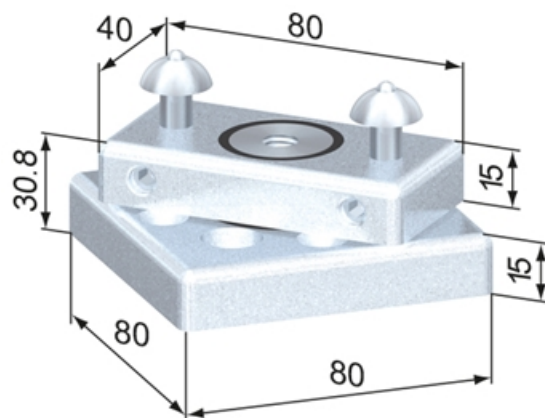
Application:

The turntables are used to construct moving swivel arms. The turntable 80 allows for cable runs in the open profiles to enter the turntable through the core hole.

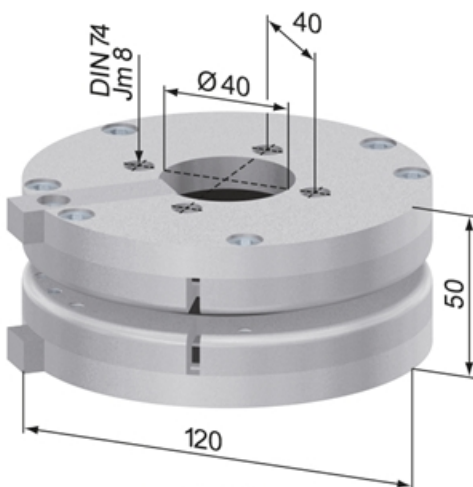
System: 40



SA5225N



SA5215N



SA5250N



Variant Data

Designation	Description	Material	Weight (kg)
SA5225N	Turntable 40	Steel, zinc-plated	1.03
SA5215N	Turntable 80	Steel, zinc-plated	1.03
SA5250N	Turntable 80, open	Aluminium, natural anodized; Glide bearing: plastic	0.99