

## Cable Joints

### Application:

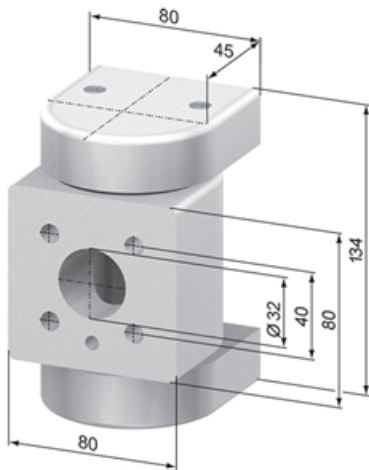
Together with the cable arm, the cable joint forms an ideal unit for running electrical data or control cables from switch box/control cabinets to the control desk. The cable runs entirely in the profile, providing the best possible protection to the cables.

### SZ1720V includes:

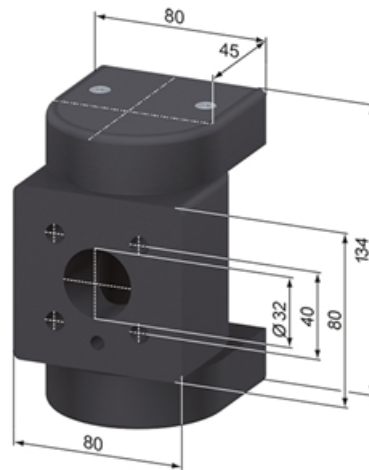
4x cap head screw M 8 x 70, DIN 912

4x central fastener 40 EQ

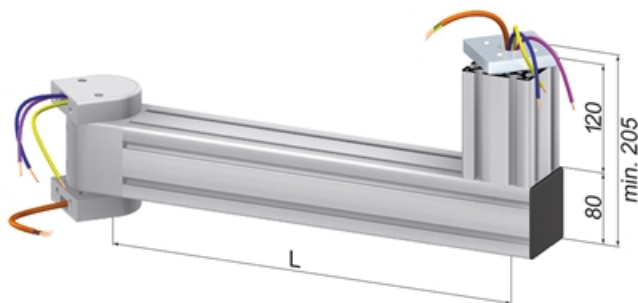
### System: 40



SA5200N



SA5200S



## Variant Data

Designation	Description	Material	Weight (kg)
SA5200N	Cable Joint 80, natural	Aluminium, natural anodized	1.87
SA5200S	Cable Joint 80, black	Aluminium, black anodized	1.87
SZ1720V	Fixing Set For Cable Joints	-	-