

Safety Interlocks

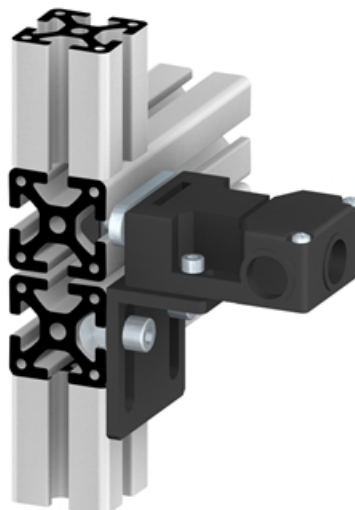
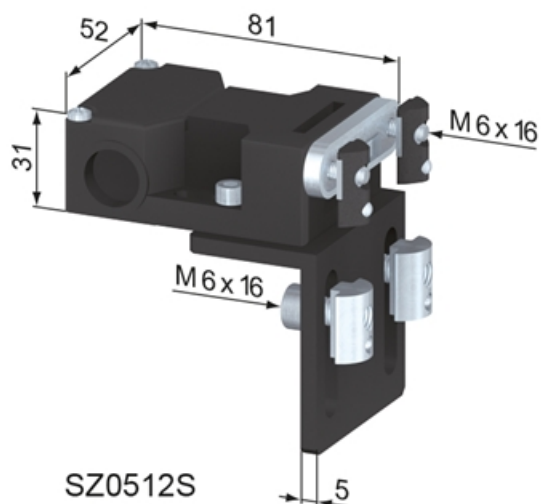
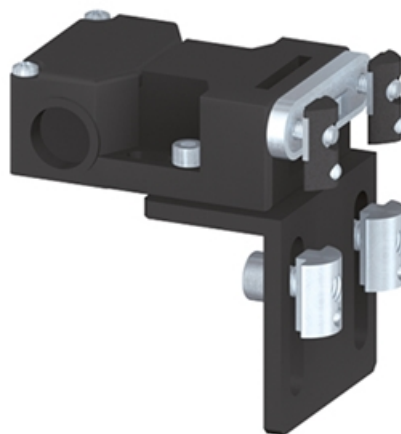
Application:

For electronic monitoring of doors. Can be mounted on the left or right side. The closing force amounts to 15 N, the holding force 5 N.

Supply:

Complete with fixing set.

System: 40



Variant Data

Designation	Description	Weight (g)
SZ0510S	Safety Interlock, with one contact	260
SZ0512S	Safety Interlock, with two contacts	260