

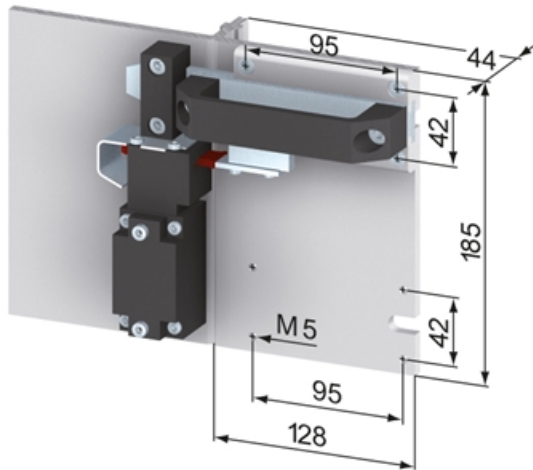
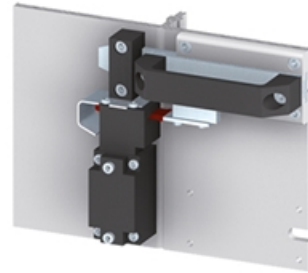
## Protection Wall Locking Mechanisms

Application:  
For locking protection wall doors.

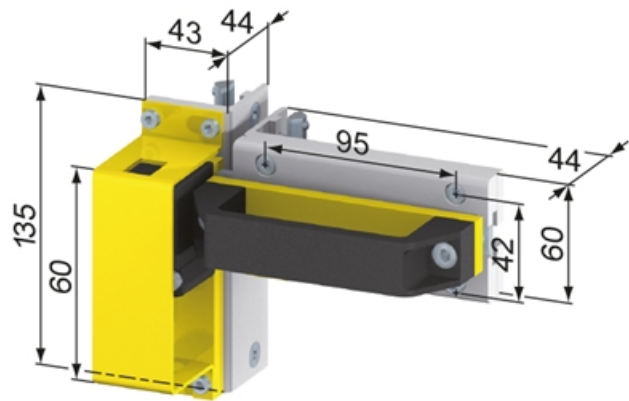
Supply:  
Complete with fixing set.

**Material:** Aluminium, natural anodized, SZ8016V switch:  
Euchner NZ1VZ-538E-MC1233

**System:** 40



SZ8016V



SZ8017V



## General Data

Designation	Description	Weight (kg)
<b>SZ8016V</b>	Protection Wall Locking Mechanism	1.926
<b>SZ8017V</b>	Protection Wall Locking Mechanism w/ Transponder	1.926