

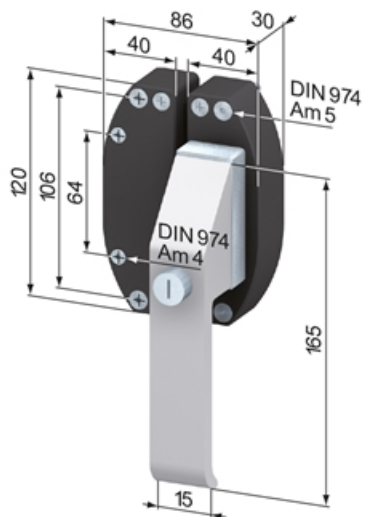
Protection Wall Lock

Application:

Locking mechanism for swing or sliding doors. Distance dimension: 6 mm

Material: POM, black, Aluminium, natural anodized, Steel, zinc-plated

System: 40



Variant Data

Designation	Description	Weight (g)
SZ8018S	Protection Wall Lock	650