

Magnetic Catch Plates

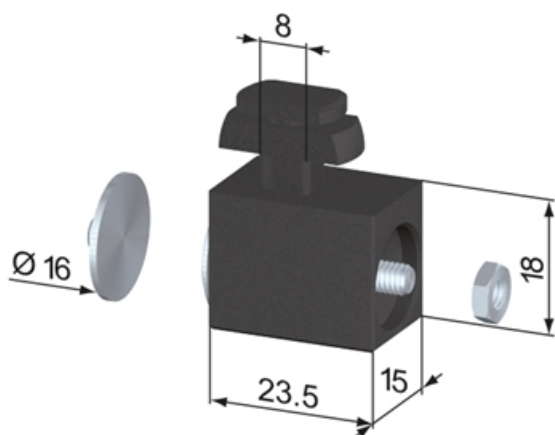
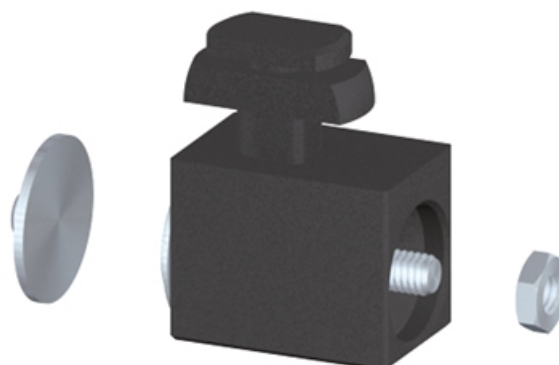
Application:

Suitable for swing doors and windows. Steel stop plate is secured by using an industrial adhesive.

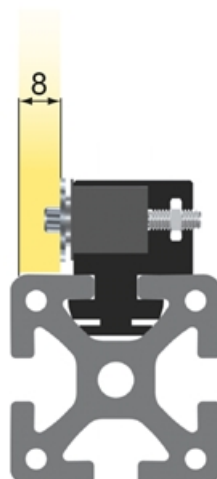
Suitable for a panel thickness of max 8 mm.

Adhesive force: 5 N

System: 40



SZ1550S



Variant Data

| Designation | Description | Weight (g) |
|----------------|---------------------------|------------|
| SZ1551S | Magnetic Catch Plate 2 mm | 20 |
| SZ1552S | Magnetic Catch Plate 4 mm | 20 |
| SZ1550S | Magnetic Catch Plate 6 mm | 20 |
| SZ1553S | Magnetic Catch Plate 8 mm | 20 |