

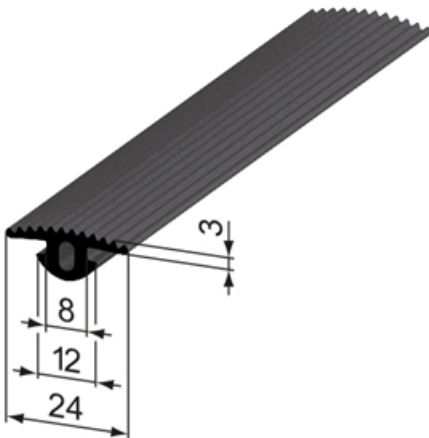
## Cover Profile

**Application:**

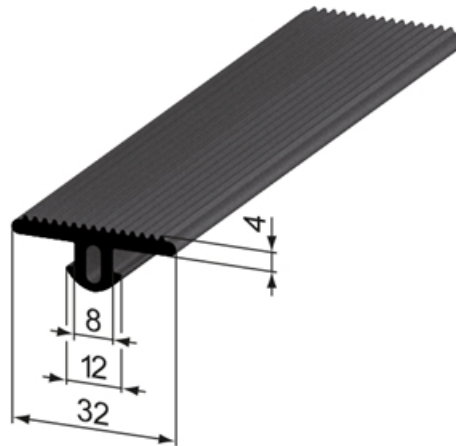
Suitable for covering profile surfaces. The rubber material provides a non-slip surface.

**Material:** NBR, black, hardness 70° Shore A, oil and water resistant

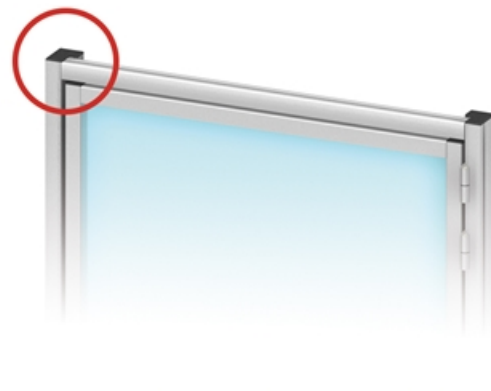
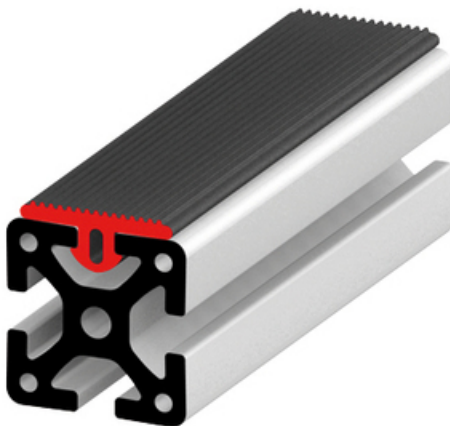
**System:** 40



SZ1914S



SZ1910S



## Variant Data

Designation	Description	Weight (g/m)
<b>SZ1914S</b>	Cover Profile 24 x 3	140
<b>SZ1910S</b>	Cover Profile 32 x 4	160