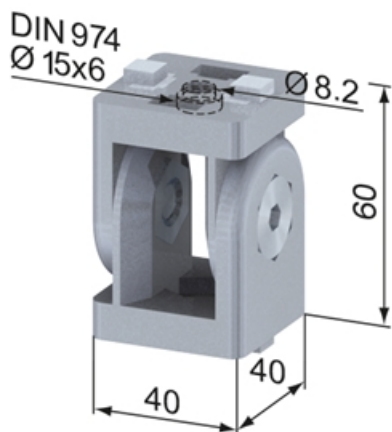


Heavy Duty Joints 40

Application:
 For connecting two profiles at any angle up to 180° (±90°).
 The clamp lever facilitates easy positioning. For heavy duty joints without a clamp lever, the angle can be set by tightening the hexagon nuts.

System: 40



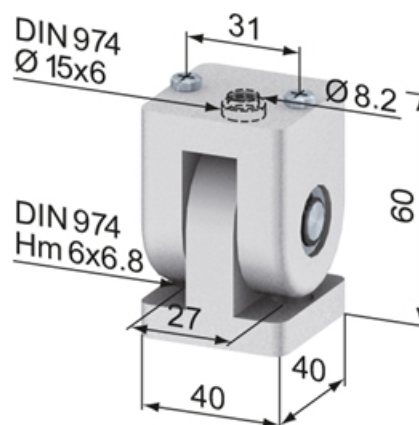
SZ1020N



SZ1020S



SZ1021N



SZ1050N

Heavy Duty Joints 40



SZ1022N



SZ1023N

General Data

Designation	Description	Material	Weight (g)
SZ1020N	Heavy Duty Joint 40 x 40, natural	GDZn, natural	293
SZ1020S	Heavy Duty Joint 40 x 40, black	GDZn black	293
SZ1021N	Heavy Duty Joint 40 x 40, with clamp lever	GDZn, natural	335
SZ1050N	Heavy Duty Joint 40 x 40, massive, natural	Aluminum, natural anodized	293
SZ1022N	Heavy Duty Joint 40 x 80, natural	GDZn, natural	480
SZ1023N	Heavy Duty Joint 40 x 80, with clamp lever	GDZn, natural	690