

Hinges 48 PA

Application:

A medium to heavy load hinge for machines and protective guardings.

SZ0791V includes:

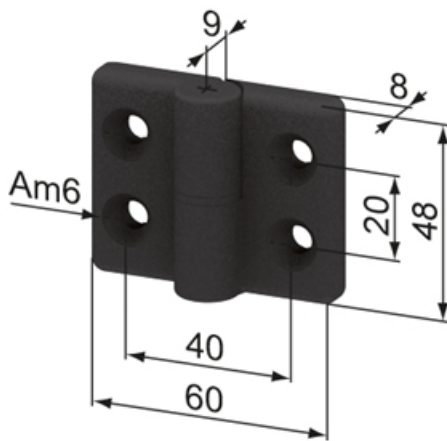
- 2x countersink screw M6 x 20, black
- 1x double t-nut 20 M6

Two of the SZ0791V fixing sets are required in order to mount the hinge onto a profile.

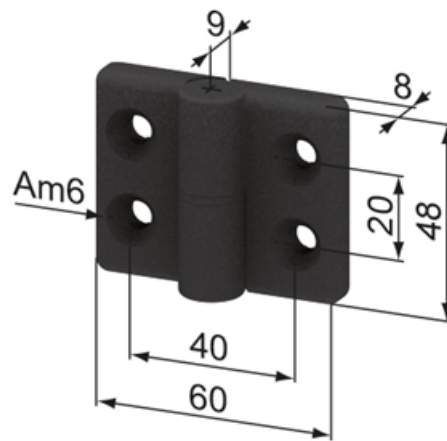
Material: PA, black

System: 40 - Slot 8

Type: Hinges



SZ0773S



SZ0774S



SZ0791V

General Data

Designation	Description	System
SZ0773S	Hinge 48 PA, left	40 - Slot 8
SZ0774S	Hinge 48 PA, right	40 - Slot 8
SZ0791V	Fixing Set For Hinges 48	40 - Slot 8