

## Hinges PA

**Application:**

Door hinge for medium loads. These hinges are suitable to connect profiles from different profile ranges, like the hinge 40/30 PA that connects profiles 40 to profiles 30.

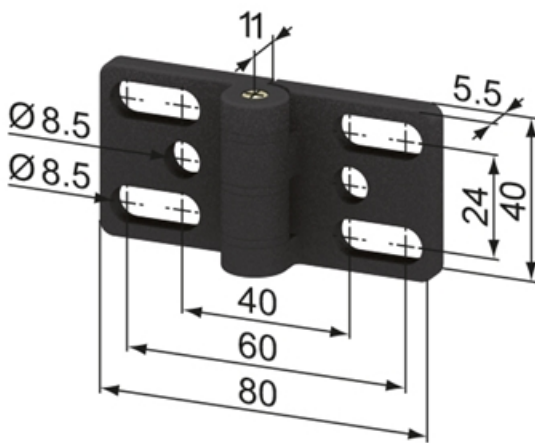
**Supply:**

All hinges PA, complete are supplied with the appropriate fixing set. These fixing sets include all of the elements needed to connect both halves of the hinge with the respective profiles.

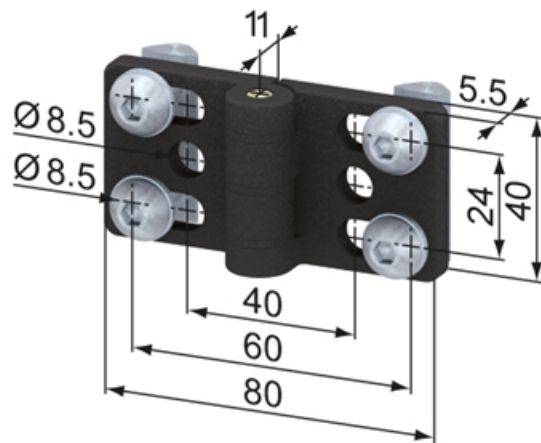
**Material:** PA, black

**System:** 40 - Slot 8

**Type:** Hinges



SZ0719S



SZ0725S

## General Data

Designation	Description	System	Weight (g)
<b>SZ0719S</b>	Hinge 40 / 40 PA	40 - Slot 8	29.1
<b>SZ0725S</b>	Hinge 40 / 40 PA, complete	40 - Slot 8	92.5