

Load Bearing Rollers

Application:

Universal rollers that are designed to run in the profile t-slot.

SZ2580Z includes:

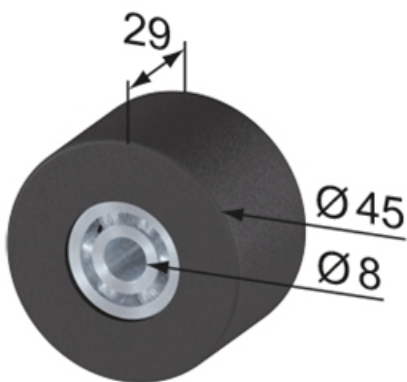
1x cap head screw M 8 x 35, DIN 6912

1x t-nut M 8 / ball-type, push-in

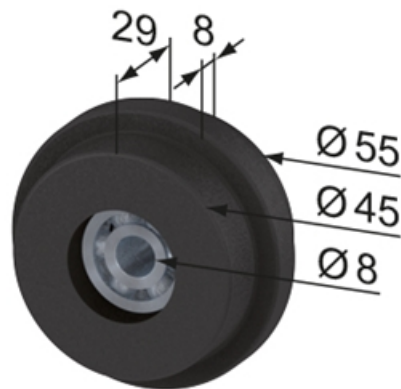
1x spacer ME2108197

Material: POM, black

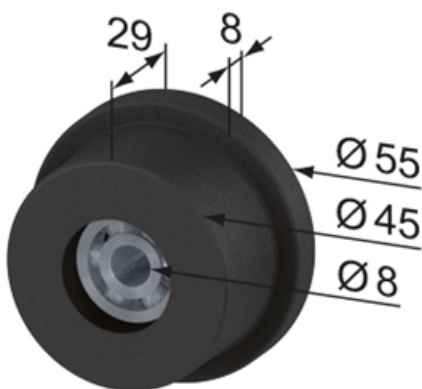
System: 40



SZ2420S



SZ2424S



SZ2422S



SZ2580Z

Variant Data

Designation	Description	Weight (g)
SZ2420S	Load Bearing Roller 45	84
SZ2424S	Load Bearing Roller RM 45	80
SZ2422S	Load Bearing Roller RS 45	80
SZ2580Z	Fixing Set For Load Bearing Rollers	34