

Gusset Plates AL

Application:

Gusset plates are suitable for strengthening t- and corner connections of profiles within machine frames and jigs.

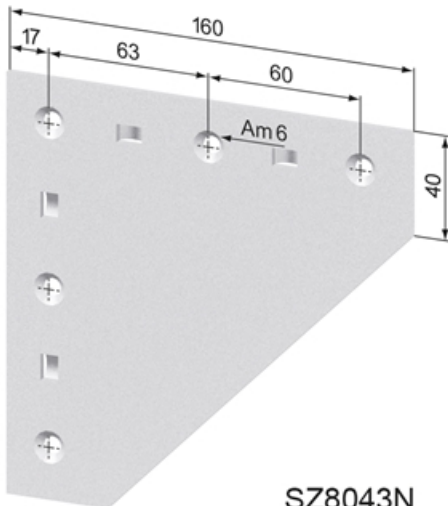
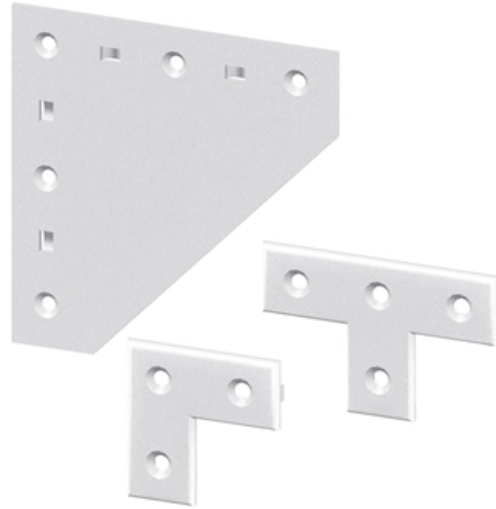
Supply:

Gusset plates and appropriate fixing sets are available separately as well as in complete sets.

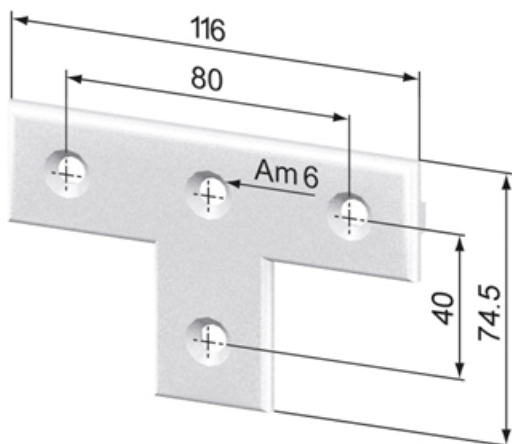
Material: Aluminium, natural anodized

System: 40 - Slot 8

Type: Angles Brackets and Corners; Fasteners

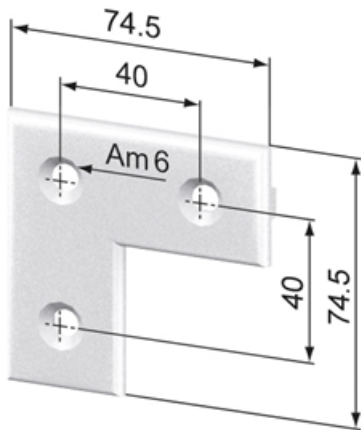


SZ0780V

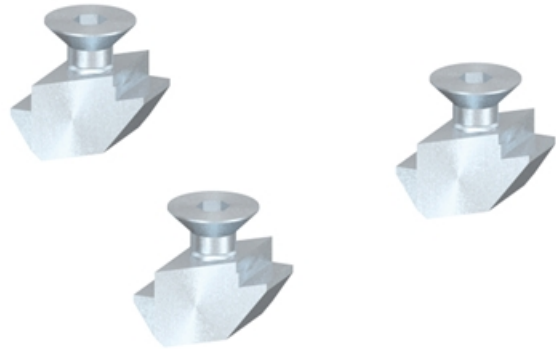


SZ0784V

Gusset Plates AL



SZ8060N



SZ0782V

General Data

Designation	Description	System	Weight (g)
SZ8043N	Gusset Plate Al, 160 x 160	40 - Slot 8	140
SZ0780V	Fixing Set For Gusset Plate Al, 160 x 160	40 - Slot 8	3
SZ8048N	Gusset Plate Al, 160 x 160, complete	40 - Slot 8	176
SZ8070N	Gusset Plate Al, t-version	40 - Slot 8	150
SZ0784V	Fixing Set For Gusset Plate Al, t-version	40 - Slot 8	40
SZ8060N	Gusset Plate Al, angle	40 - Slot 8	150
SZ0782V	Fixing Set For Gusset Plate Al, angle	40 - Slot 8	40
SZ8065N	Gusset Plate Al, angle, complete	40 - Slot 8	134