

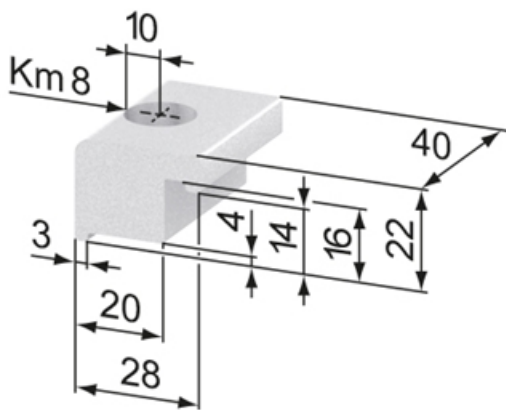
Clamp Angles

Application:
For right-angled fixing of profiles.

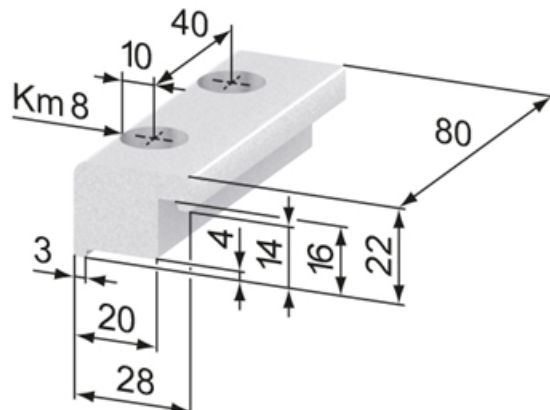
Material: Aluminium, natural anodized

System: 40 - Slot 8

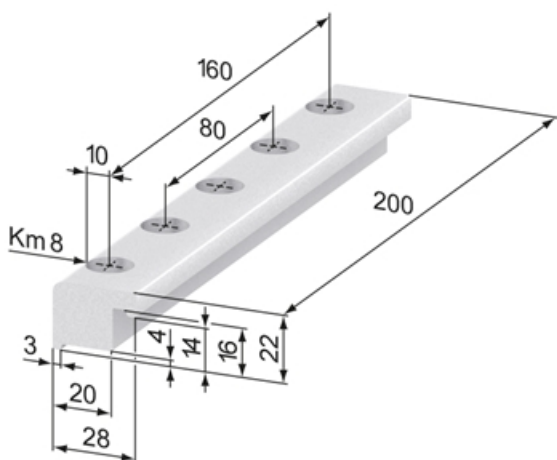
Type: Angles Brackets and Corners; Fasteners



SZ6550N



SZ6551N



SZ6554N

General Data

Designation	Description	System	Number of Fixing Holes	Weight (g)
SZ6550N	Clamp Angle 28 x 22 x 40	40 - Slot 8	1	41
SZ6551N	Clamp Angle 28 x 22 x 80	40 - Slot 8	2	83