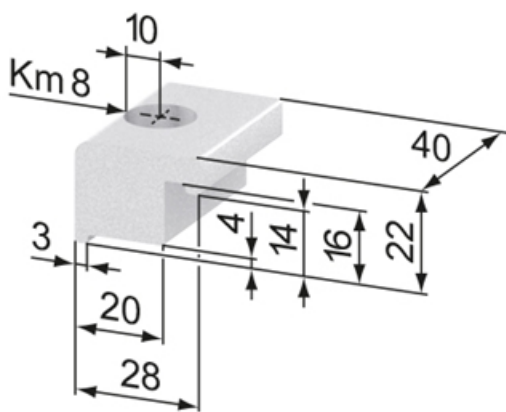


## Clamp Angles

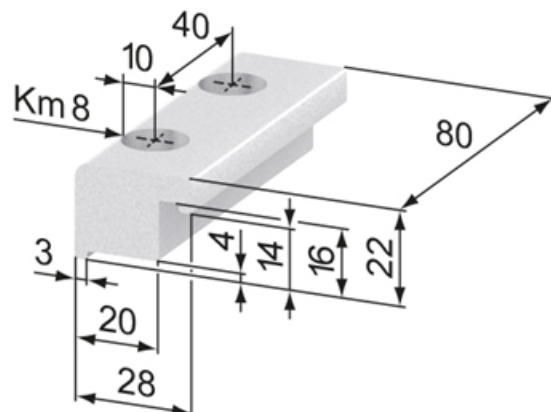
Application:  
For right-angled fixing of profiles.

**Material:** Aluminium, natural anodized

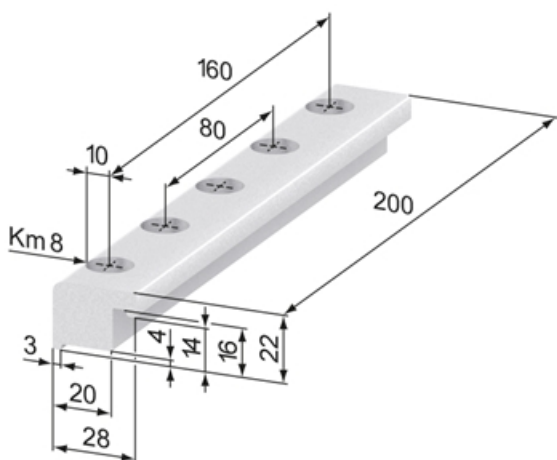
**System:** 40



SZ6550N



SZ6551N



SZ6554N

## Variant Data

Designation	Description	Number of Fixing Holes	Weight (g)
<b>SZ6550N</b>	Clamp Angle 28 x 22 x 40	1	41
<b>SZ6551N</b>	Clamp Angle 28 x 22 x 80	2	83
<b>SZ6552N</b>	Clamp Angle 28 x 22 x 120	3	125
<b>SZ6553N</b>	Clamp Angle 28 x 22 x 160	4	167
<b>SZ6554N</b>	Clamp Angle 28 x 22 x 200	5	210