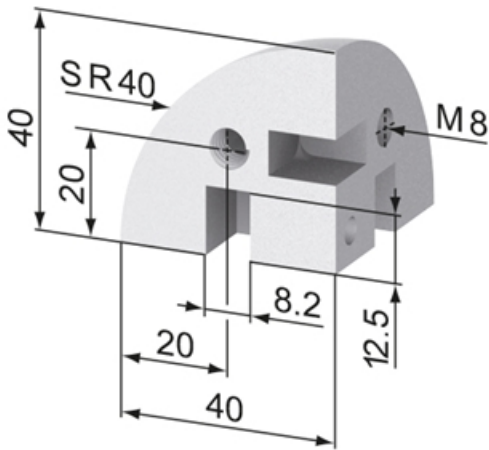


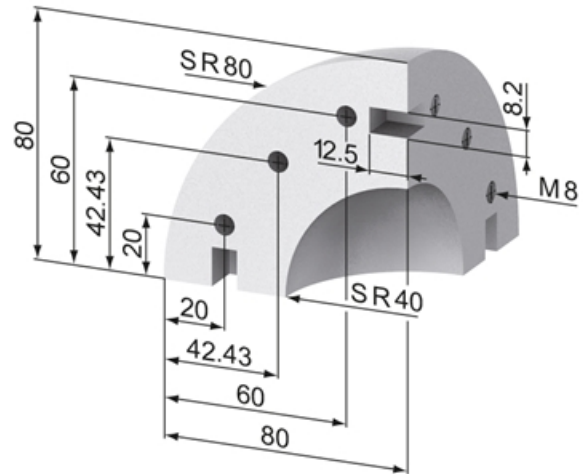
Round Corners

Application:
For right-angled fixing of round profiles.

Material: Aluminium, natural anodized
System: 40



SZ5050N



SZ5045N



Variant Data

Designation	Description	Weight (g)
SZ5050N	Round Corner 40	74
SZ5045N	Round Corner 80	584