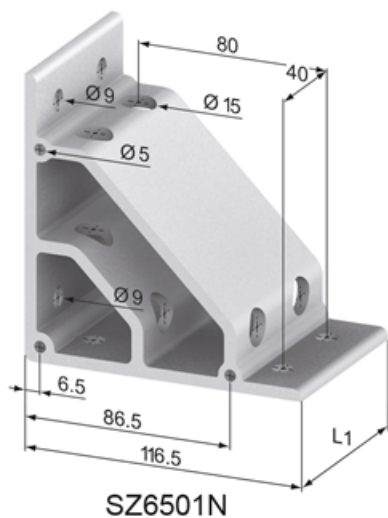
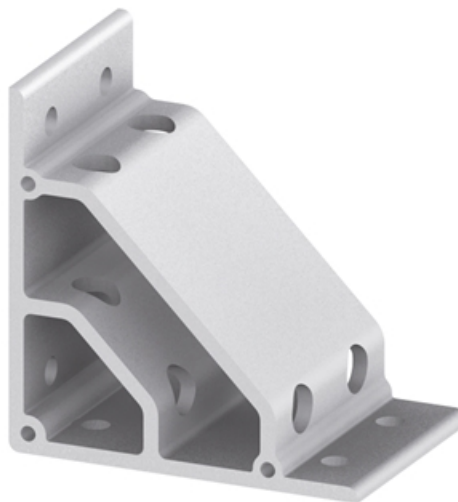


Angles 120 x 120

Application:
For right-angled fixing of profiles.

Material: Aluminium, natural anodized

System: 40



General Data

Designation	Description	Number of Fixing Holes	Weight (g)
SZ6500N	Angle 120 x 120 x 40	4	210
SZ6501N	Angle 120 x 120 x 80	8	424
SZ6502N	Angle 120 x 120 x 120	12	636
SZ6503N	Angle 120 x 120 x 160	16	850
SZ6504N	Angle 120 x 120 x 200	20	1053