

Corner Brackets Zn 40

Application:

For right-angled fixing of profiles without the need of machining the profiles.

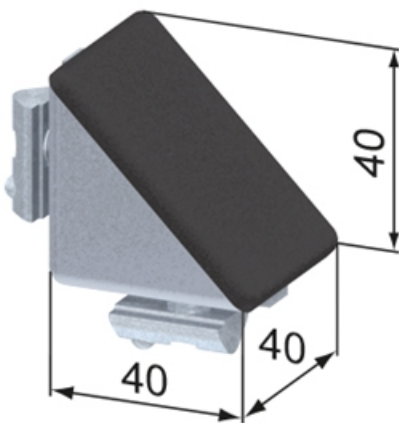
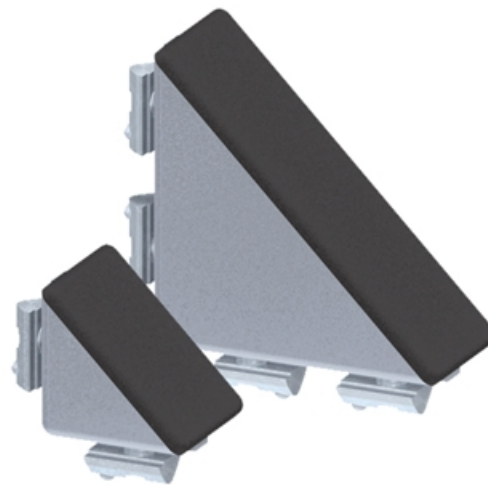
Corner brackets are available separately (SZ0971N and SZ0973N) or in a set (SZ0970N and SZ0972N).

The set contains:

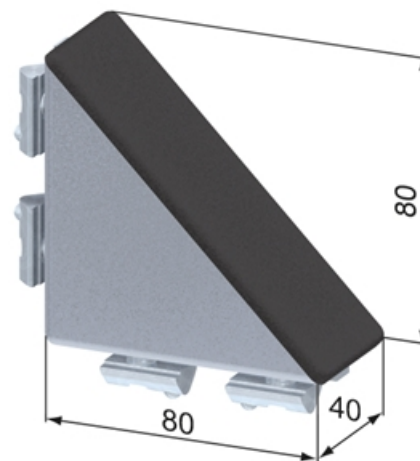
- Corner Bracket Zn
- Profile Cap Corner Zn
- Button head screws M8x16
- T-Nuts M8/ball-type, push-in
- Security washers D=8mm

Material: GDZn (zinc diecasting), natural

System: 40



SZ0970N



SZ0972N



Corner Brackets Zn 40



General Data

Designation	Description	Weight (g)	Remark
SZ0971N	Corner Bracket Zn 40 x 40 powder coated	99	Corner bracket only
SZ0970N	Set Corner Bracket Zn 40 x 40, complete	135	Complete set
SZ0973N	Corner Bracket Zn 40 x 80 powder coated	309	Corner bracket only
SZ0972N	Set Corner Bracket Zn 40 x 80, complete	388	Complete set