

Fixing Angles 70 x 70

Application:

For right-angled fixing of profiles without the need of machining the profiles. Comes with required fixing set.

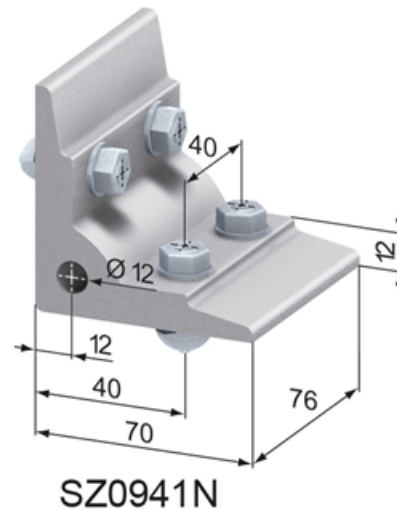
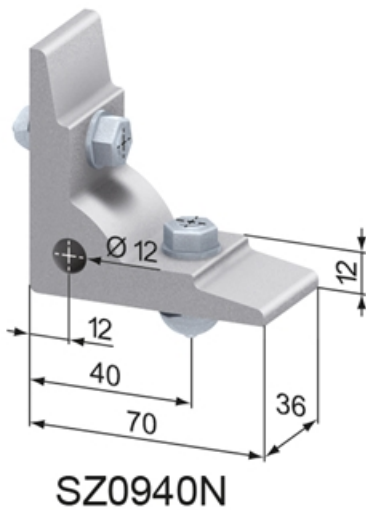
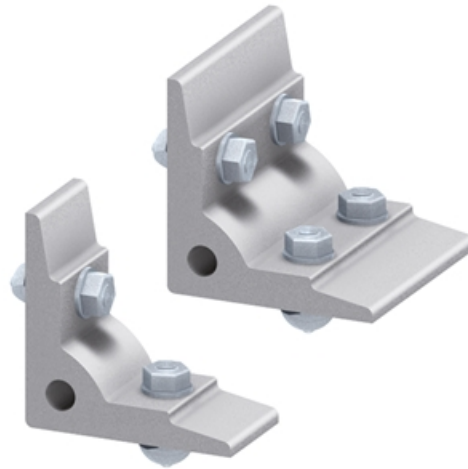
Supply:

SZ0941N: 4x anchor screw (M 8 x 32)

SZ0940N: 2x anchor screw (M 8 x 32), 2x anti-twist set screw

Material: Aluminium, natural anodized

System: 40



General Data

Designation	Description	Weight (g)
SZ0940N	Fixing Angle 70 x 70 x 36	166
SZ0941N	Fixing Angle 70 x 70 x 76	344