

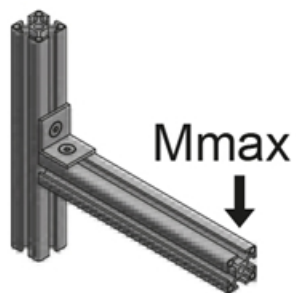
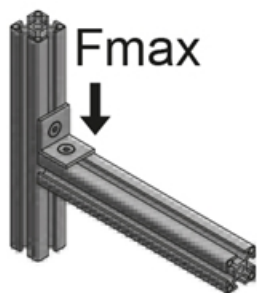
## Angle Plate, steel

Universally applicable attachment bracket. Links two aluminium profiles at a right angle.

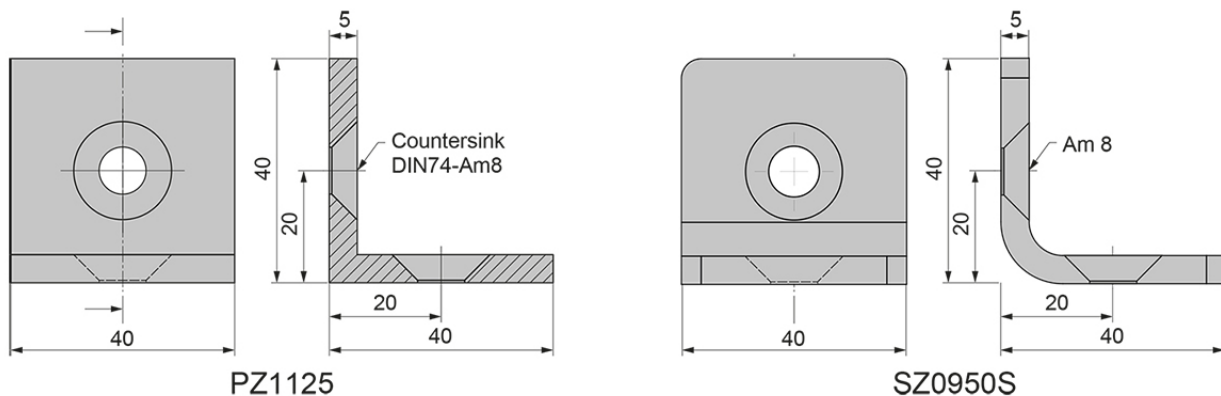
Mounting material for PZ1125: M8 × 14 countersunk screw (DIN7991), M8 slot 8 slot nut

**Material:** Steel, black

**System:** 40



## Variant Data



Designation	Description	Fmax (N)	Mmax (Nm)	Weight (g)
<b>SZ0950S</b>	Angle Plate 40 x 40, steel	-	-	102
<b>PZ1125</b>	Bracket 40 × 40	1500	50	-