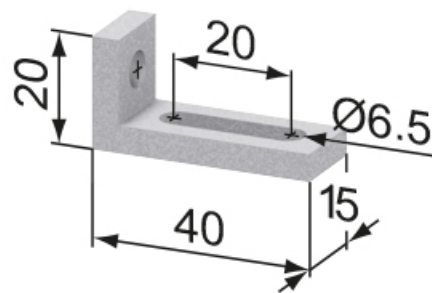
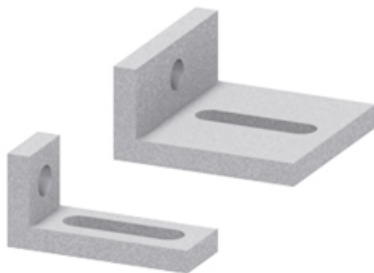
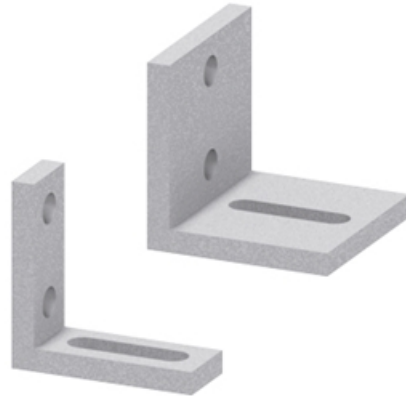


Fixing Angles 40

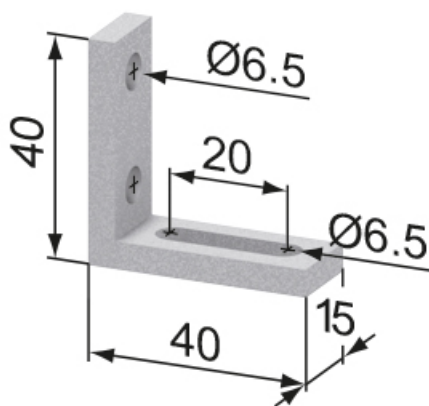
Application:
For right-angled fixing of profiles.

Material: Aluminium, natural anodized

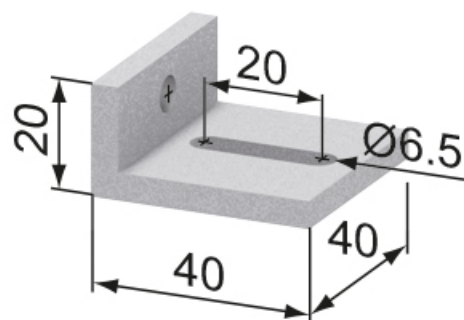
System: 40



SZ0910N

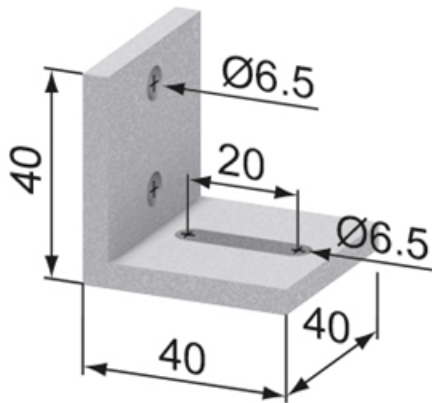


SZ0920N



SZ0916N

Fixing Angles 40



SZ0926N

General Data

Designation	Description	Weight (g)
SZ0910N	Fixing Angle 40 x 20 x 15	9
SZ0912N	Fixing Angle 40 x 20 x 20	13
SZ0914N	Fixing Angle 40 x 20 x 30	20
SZ0916N	Fixing Angle 40 x 20 x 40	27
SZ0920N	Fixing Angle 40 x 40 x 15	12
SZ0922N	Fixing Angle 40 x 40 x 20	17
SZ0924N	Fixing Angle 40 x 40 x 30	27
SZ0926N	Fixing Angle 40 x 40 x 40	37