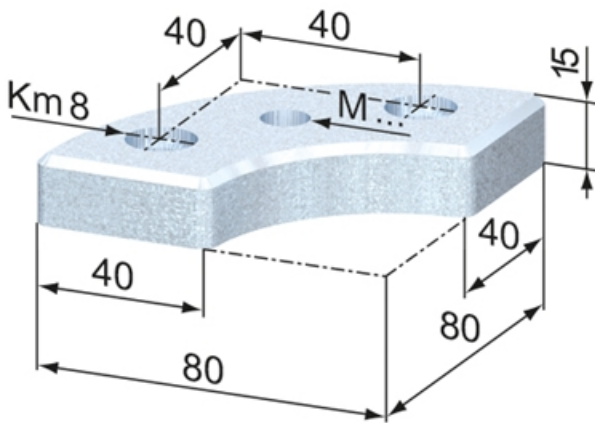
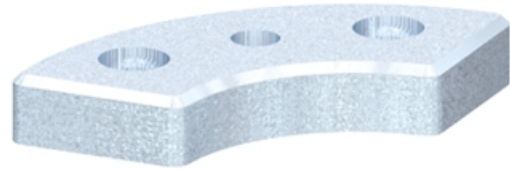


## Foot Plates R 40 x 80 90°

**Material:** Steel, zinc-plated

**System:** 40



## General Data

Designation	Description	Weight (kg)
<b>SZ0211V</b>	Foot Plate R 40 x 80 90° M 8	0.400
<b>SZ0213V</b>	Foot Plate R 40 x 80 90° M 10	0.392