

Swivel Castors, Bolt Hole with Lock

Housing made of Polyamide, precision ball bearing in swivel head, bolt hole.

Wheel centre made of Polyamide.

Tread made of Polyurethane, precision ball bearing.

Standard: EN 12530

Hardness of tread: Shore A 92

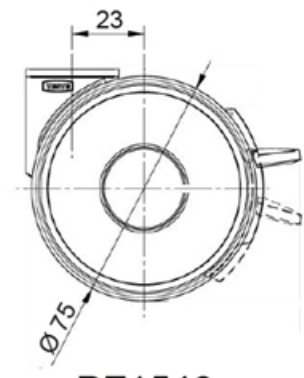
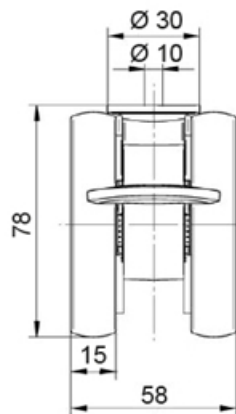
Material: Polyamide

System: 40; 6; 5

Temperature range (°C): -10° to +40°



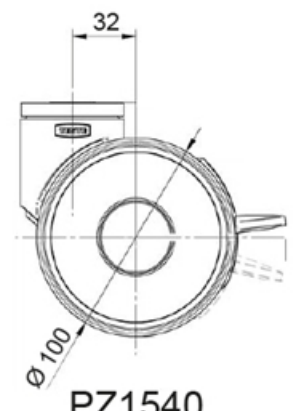
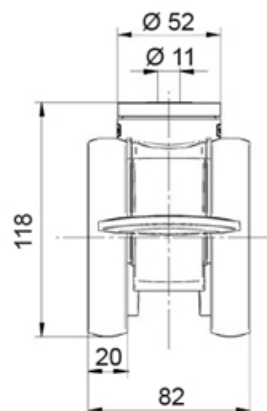
PZ1543



PZ1543



PZ1540

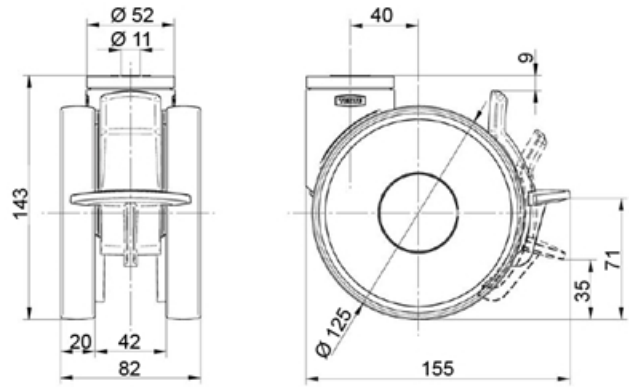


PZ1540

Swivel Castors, Bolt Hole with Lock



PZ1544



PZ1544

Variant Data

Designation	Description	Weight (g)	Colour	Swivel Interference (mm)	Load Capacity (kg)
PZ1543	Swivel castor with wheel brake, bolt hole	237	RAL7001	156	90
PZ1540	Swivel castor with total lock, bolt hole	750	RAL9002	216	100
PZ1544	Swivel castor with total lock, kick pedal	743	RAL9002	258	110

Designation	Static Load Capacity (kg)
PZ1543	180
PZ1540	200
PZ1544	220