

Swivel Castors, Plate Fitting

Housing made of Polyamide, precision ball bearing in swivel head, plate fitting.

Wheel centre made of Polyamide.

Tread made of Polyurethane, precision ball bearing.

Standard: EN 12530

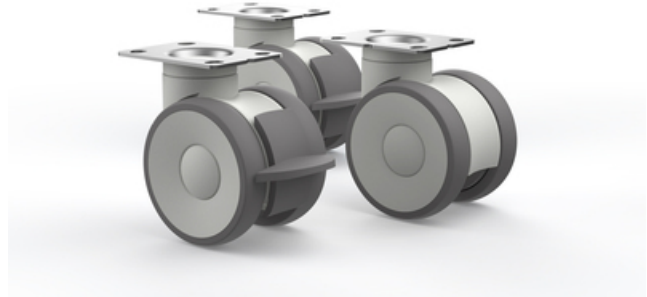
Hardness of tread: Shore A 92

Material: Polyamide

System: 40 - Slot 8; 30 - Slot 6; 20 - Slot 5

Temperature range (°C): -10° to +40°

Type: Castors



PZ1549

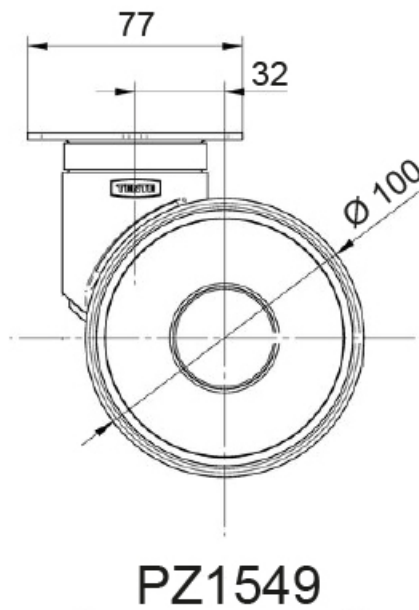
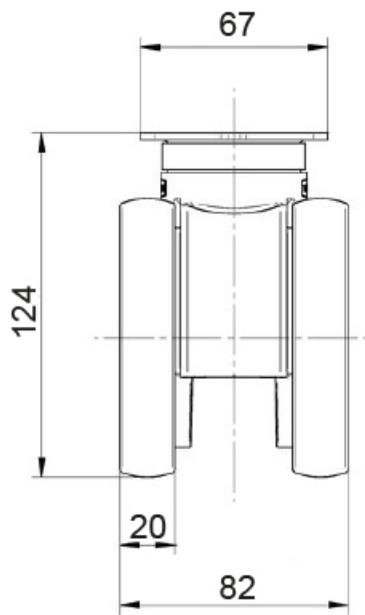


PZ1550

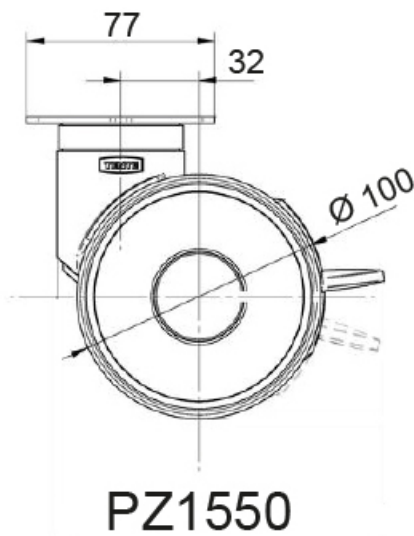
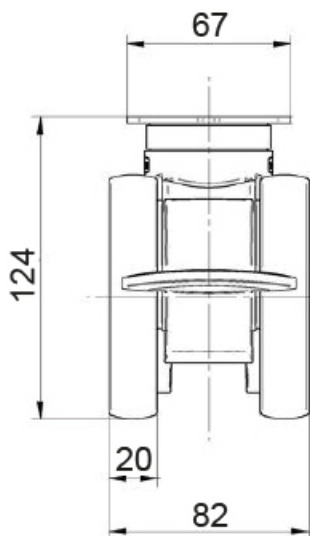


PZ1551

General Data



PZ1549



PZ1550

General Data

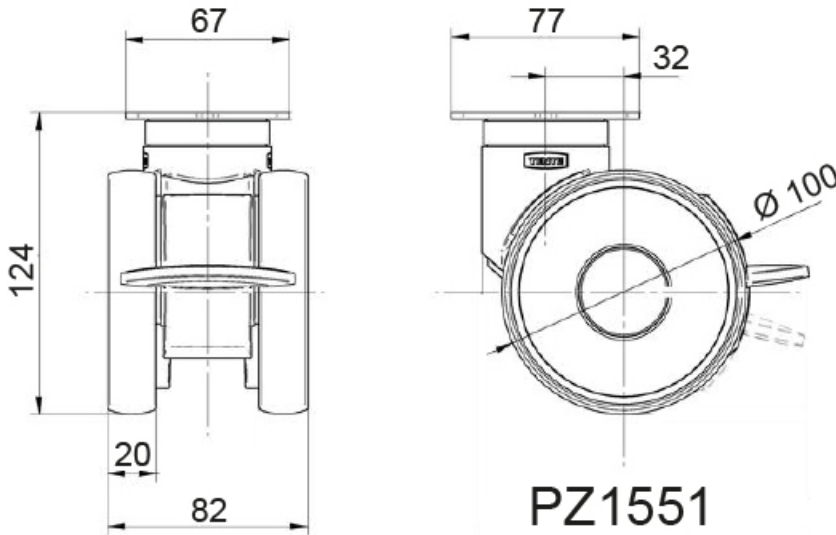
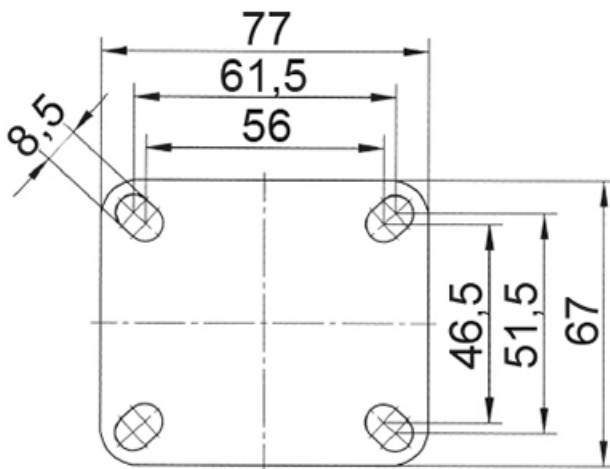


Plate Fitting



Designation	Description	Wheel Diameter (mm)	Colour	Weight (g)	Swivel Interference (mm)
PZ1549	Swivel castor with plate fitting	100	RAL9002	804	180
PZ1550	Swivel castor with directional lock, plate fitting	100	RAL9002	865	216
PZ1551	Swivel castor with total lock, plate fitting	100	RAL9002	871	216

Designation	Load capacity (kg)	Static Load Capacity (kg)
PZ1549	100	200

General Data

Designation	Load capacity (kg)	Static Load Capacity (kg)
PZ1550	100	200
PZ1551	100	200