

## Swivel Castors, Plate Fitting

Housing made of Polyamide, precision ball bearing in swivel head, plate fitting.

Wheel centre made of Polyamide.

Tread made of Polyurethane, precision ball bearing.

Standard: EN 12530

Hardness of tread: Shore A 92

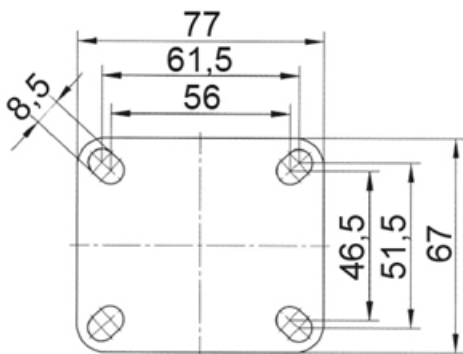
**Material:** Polyamide

**System:** 40; 6; 5

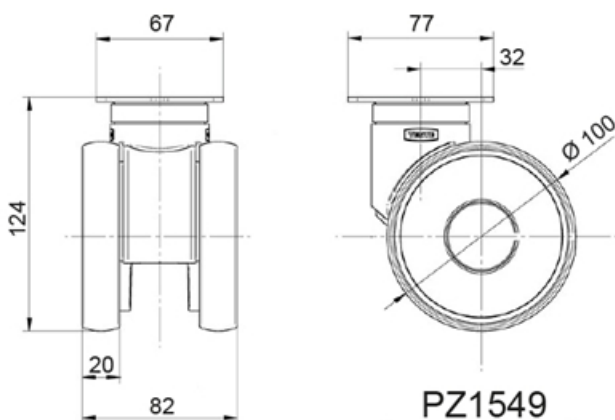
**Temperature range (°C):** -10° to +40°



### Plate Fitting



PZ1549

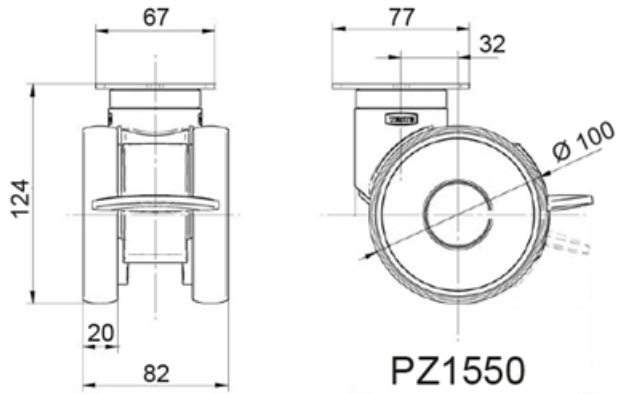


PZ1549

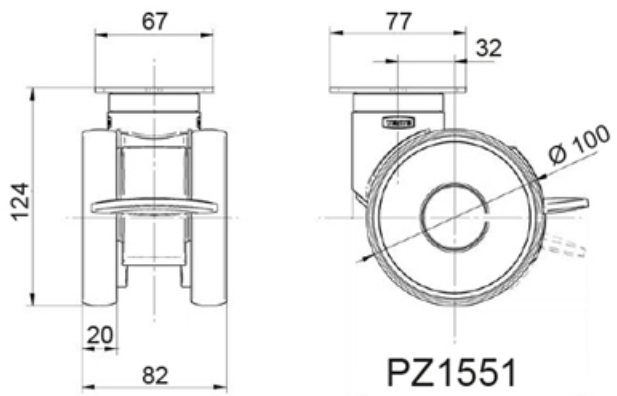


PZ1550

## Swivel Castors, Plate Fitting



PZ1551



## Variant Data

Designation	Description	Weight (g)	Colour	Swivel Interference (mm)	Load Capacity (kg)
<b>PZ1549</b>	Swivel castor with plate fitting	804	RAL9002	180	100
<b>PZ1550</b>	Swivel castor with directional lock, plate fitting	865	RAL9002	216	100
<b>PZ1551</b>	Swivel castor with total lock, plate fitting	871	RAL9002	216	100

Designation	Static Load Capacity (kg)
<b>PZ1549</b>	200
<b>PZ1550</b>	200
<b>PZ1551</b>	200