

## Swivel Castors, Bolt Hole

Housing made of Polyamide, precision ball bearing in swivel head, bolt hole.

Wheel centre made of Polyamide.

Tread made of Polyurethane, precision ball bearing.

Standard: EN 12530

Hardness of tread: Shore A 92

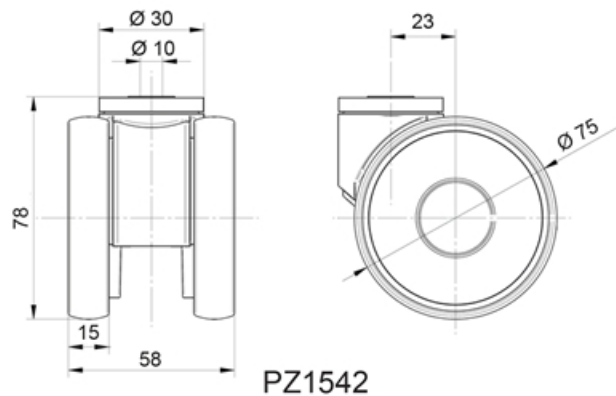
**Material:** Polyamide

**System:** 40; 6; 5

**Temperature range (°C):** -10° to +40°



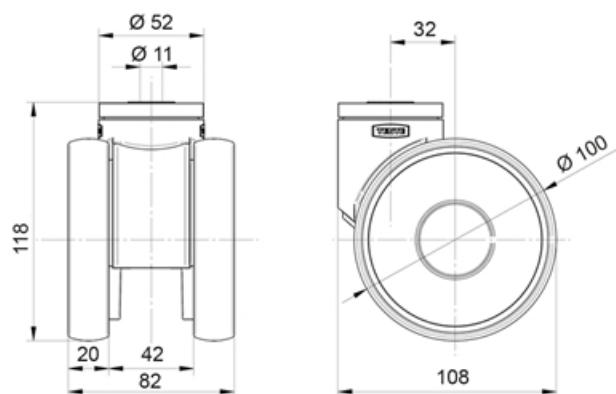
PZ1542



PZ1542



PZ1541

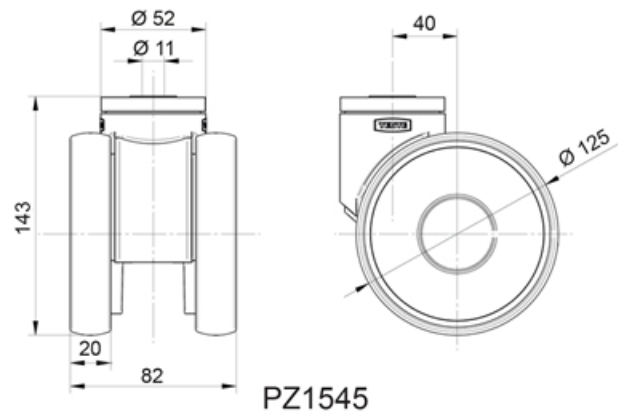


PZ1541

## Swivel Castors, Bolt Hole



PZ1545



## Variant Data

Designation	Description	Weight (g)	Colour	Swivel Interference (mm)	Load Capacity (kg)
PZ1542	Swivel castor with bolt hole	216	RAL7001	121	90
PZ1541	Swivel castor with bolt hole	682	RAL9002	180	100
PZ1545	Swivel castor with bolt hole	774	RAL9002	218	110

Designation	Static Load Capacity (kg)
PZ1542	180
PZ1541	200
PZ1545	220