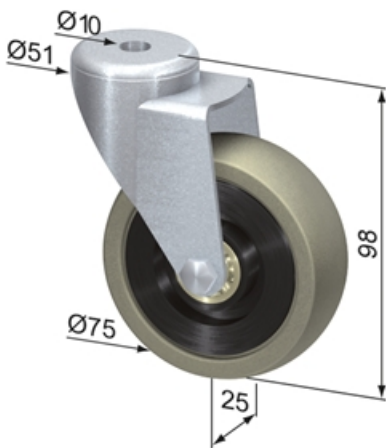
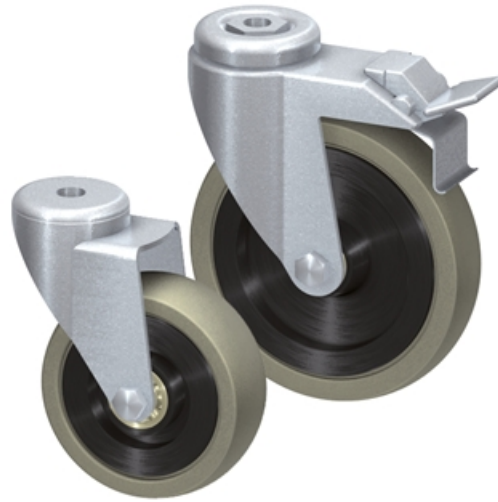


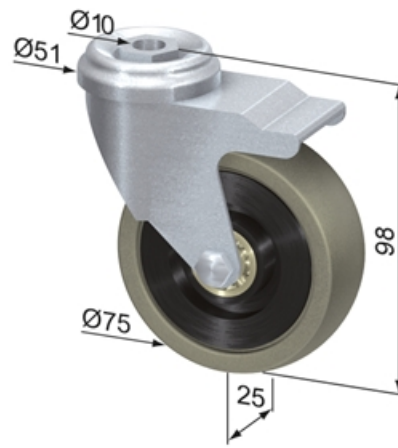
## Steering Castors, rubber

Application:  
For carts with heavy load.

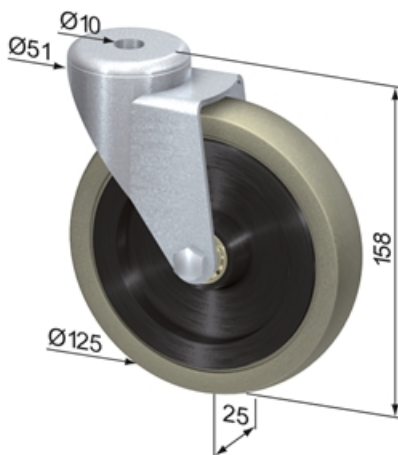
**Material:** Housing: steel, zinc-plated  
**System:** 40  
**Temperature range (°C):** -20° to +60°



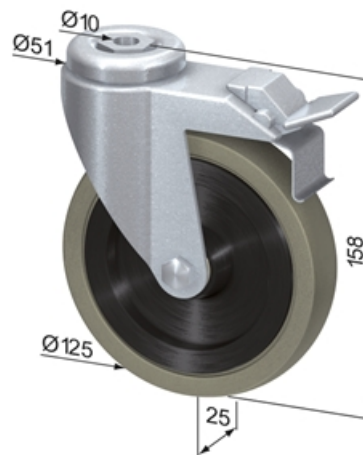
SF2300V



SF2302V



SF2310V



SF2312V

## General Data

Designation	Description	Weight (g)	Max. Load (kg)
SF2300V	Steering Castor Ø 75, rubber	330	60
SF2302V	Steering Castor Ø 75, rubber, fixable	340	60
SF2310V	Steering Castor Ø 125, rubber	1100	100
SF2312V	Steering Castor Ø 125, rubber, fixable	1150	100