

## Double Castors Ø 75, rubber

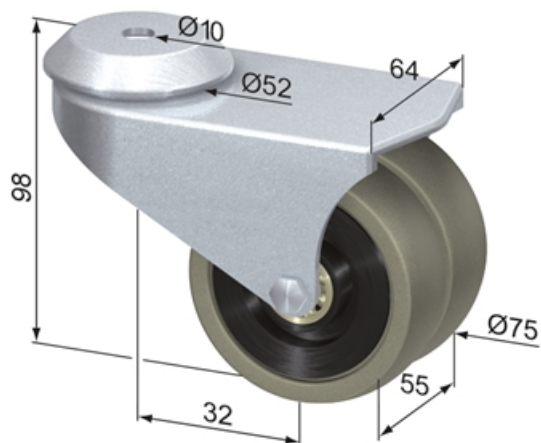
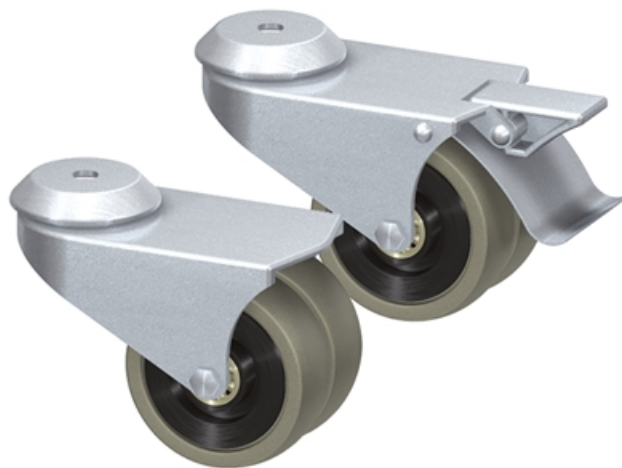
Application:

For carts and benches with heavy load.

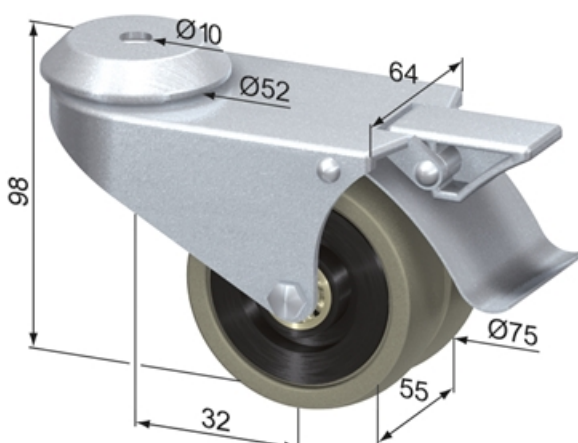
**Material:** Housing: steel, zinc-plated

**System:** 40

**Temperature range (°C):** -20° to +60°



SF2400V



SF2401V

## General Data

| Designation    | Description                        | Weight (g) | Max. Load (kg) |
|----------------|------------------------------------|------------|----------------|
| <b>SF2400V</b> | Double Castor Ø 75, rubber         | 581        | 80             |
| <b>SF2401V</b> | Double Castor Ø 75, rubber, braked | 666        | 80             |