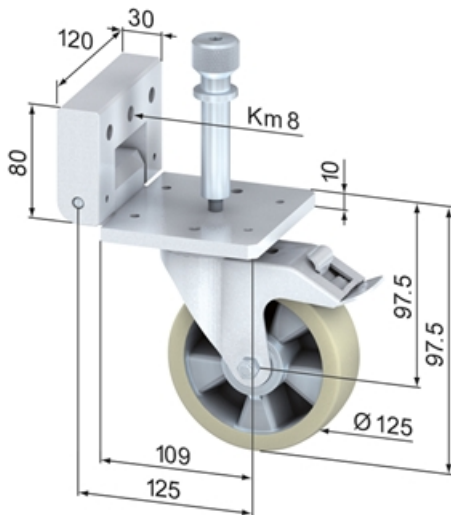
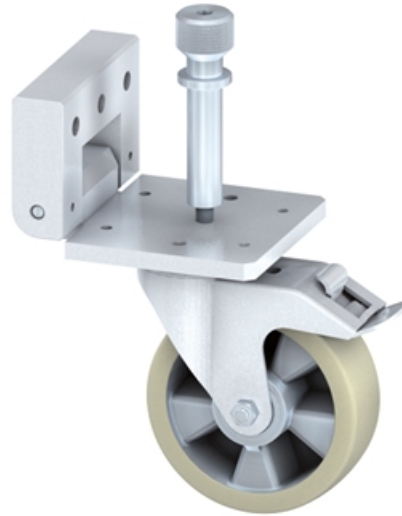


Hinge Castor

Application:
For relocating measurement devices and jigs.

Material: Steel, zinc-plated

System: 40



General Data

Designation	Weight (g)
SF2602V	3050