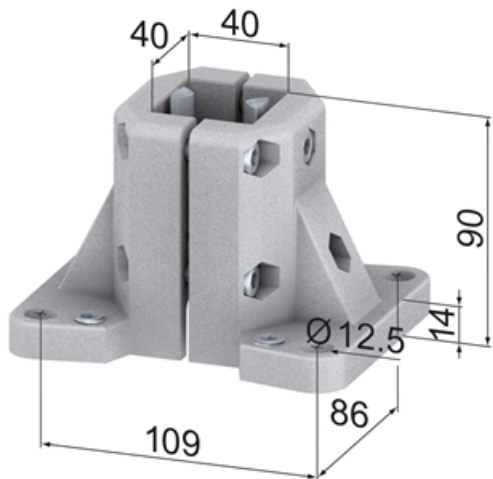
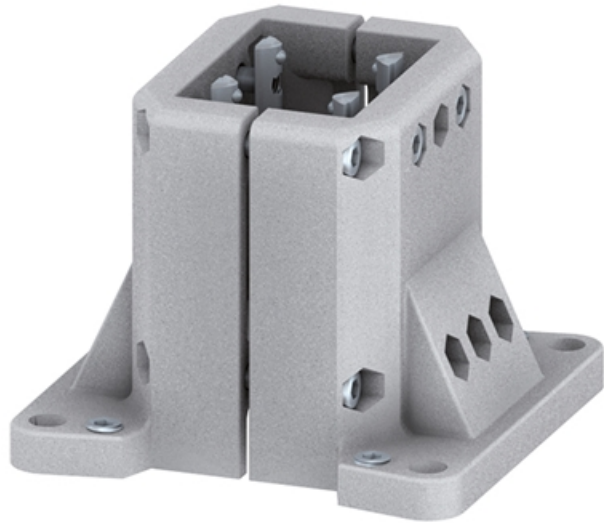


Clamping Feet

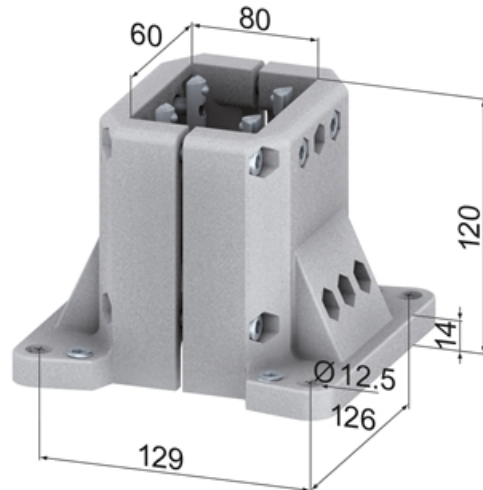
Application: For adjusting and fixing protection panel support legs to the floor. One fixing set is required per clamping foot.

Material: Aluminum, natural anodized

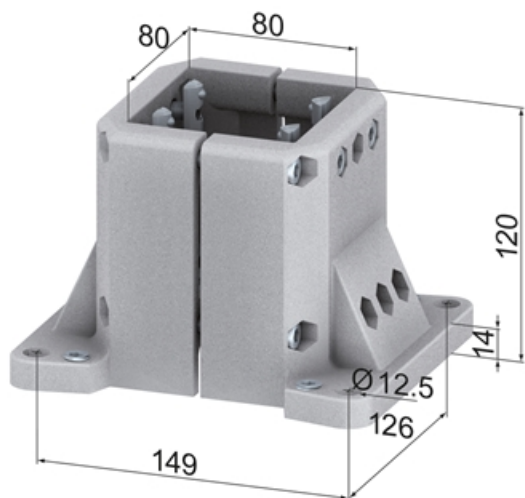
System: 40



SZ8080N



SZ8081N



SZ8082N

General Data

Designation	Description	Weight (g)
SZ8080N	Clamping Foot 40 x 40	896
SZ8081N	Clamping Foot 60 x 80	1500
SZ8082N	Clamping Foot 80 x 80	2000