

Adjustable Foot Ø 136 Steel with anti-vibration pad and fixing holes

Application:

Height adjustable foot for leveling machines and structures.
Any tipping is compensated by a ball and striker pad.

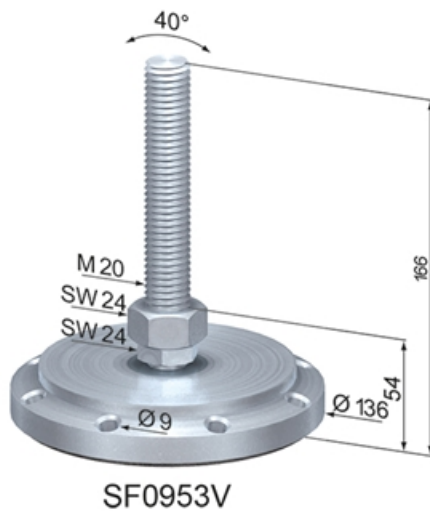
Two fixing sets are required for adjustable feet Ø 136.

Material: Pad: SVDB steel, zinc-plated; with anti-vibr. pad / fixing holes. Striker pad: Steel, zinc-plated. Spindle & Hexagon nut: Steel, zinc-plated

Max. Load (kg): 2000

System: 40 - Slot 8

Type: Feet



General Data

Designation	Description	System	Hmin (mm)	Weight (kg)
SF0950V	Adj. Foot Ø 136 M16 SVDB / L 95 St	40 - Slot 8	48	2.04
SF0951V	Adj. Foot Ø 136 M16 SVDB / L 166 St	40 - Slot 8	48	2.15
SF0952V	Adj. Foot Ø 136 M20 SVDB / L 95 St	40 - Slot 8	54	2.14
SF0953V	Adj. Foot Ø 136 M20 SVDB / L 166 St	40 - Slot 8	54	2.27