

## Adjustable Foot Ø 136 with fixing holes

### Application:

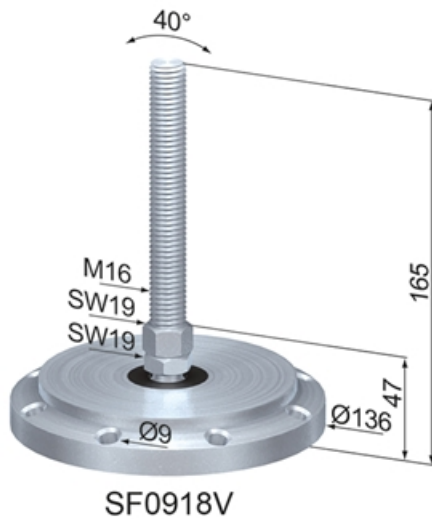
Height adjustable foot for leveling machines and structures.  
Any tipping is compensated by a ball and striker pad.

Two fixing sets SZ1700V are required for adjustable feet Ø 136.

**Material:** Pad: SVB steel steel, zinc-plated. Striker pad: POM, black. Spindle & Hexagon nut: Steel, zinc-plated

**Max. Load (kg):** 1300

**System:** 40; 6; 5



## General Data

Designation	Description	Hmin (mm)	Weight (kg)
<b>SF0818V</b>	Adjustable Foot Ø 136 M16 SVB/L 94	47	2.15
<b>SF0918V</b>	Adjustable Foot Ø 136 M16 SVB/L 165	47	2.26