

Adjustable Feet Ø 79 with anti-vibration pad and fixing holes

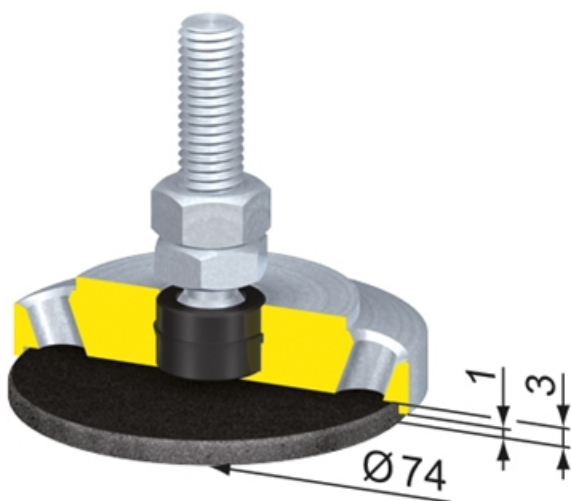
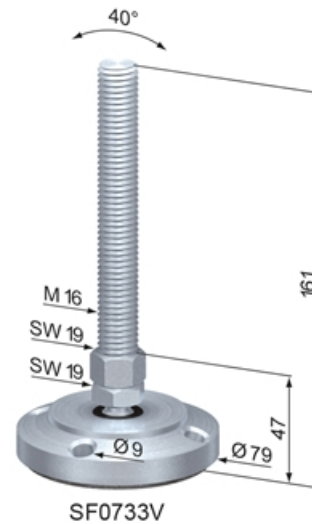
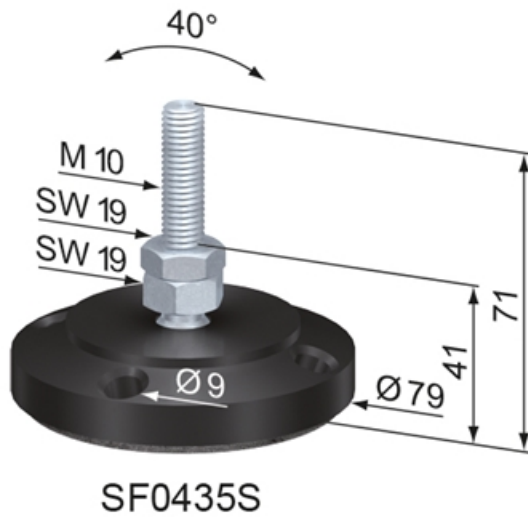
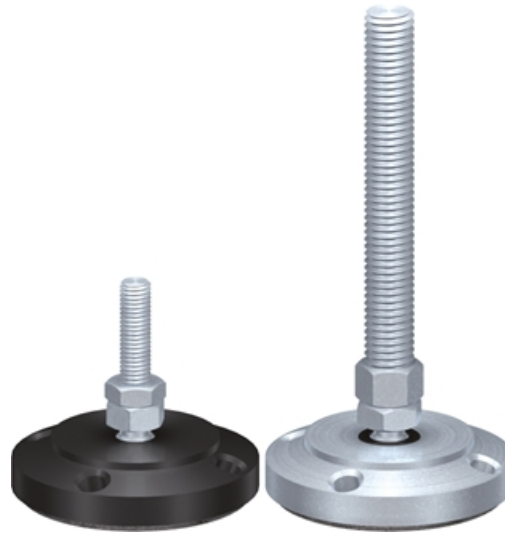
Application:
 Height adjustable foot for leveling machines and structures.
 Any tipping is compensated by a ball and striker pad.

Material: Spindle & Hexagon nut: Steel, zinc-plated

Max. Load (kg): 750

System: 40 - Slot 8; 30 - Slot 6; 20 - Slot 5

Type: Feet



General Data

| Designation | Description | Pad Material | Hmin (mm) | Weight (g) |
|----------------|--|---|-----------|------------|
| SF0435S | Adjustable Foot Ø 79 M10 PSDB/L 71 | "POM, black; with anti-vibr. pad / fixing holes" | 41 | 157 |
| SF0533V | Adjustable Foot Ø 79 M16 SVDB/L 71 | "Steel, zinc-plated; with anti-vibr. pad / fixing holes" | 47 | 551 |
| SF0733V | Adjustable Foot Ø 79 M16 SVDB/L 161 | "Steel, zinc-plated; with anti-vibr. pad / fixing holes" | 47 | 670 |