

Adjustable Feet Ø 79 with anti-vibration pad and fixing holes

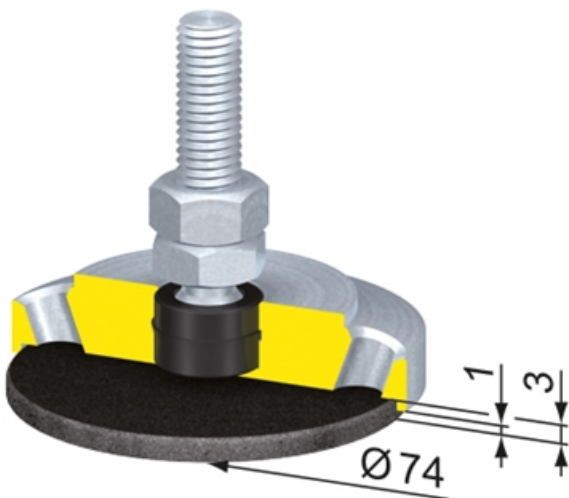
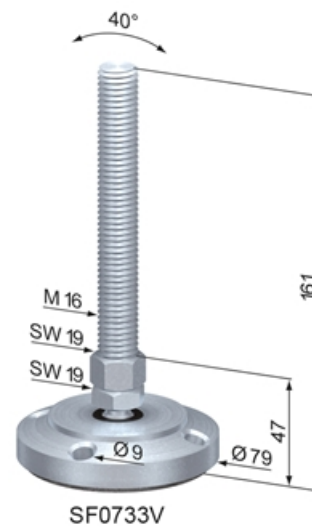
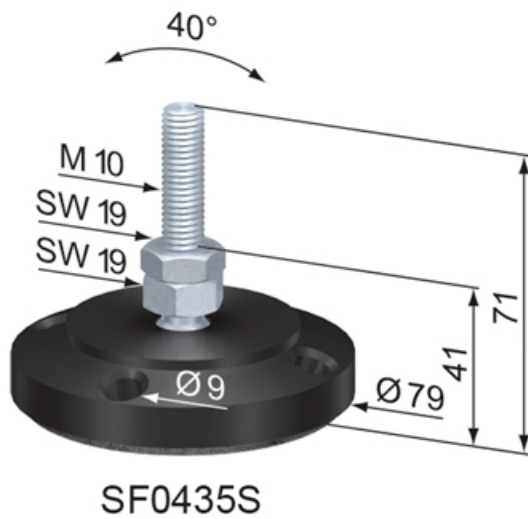
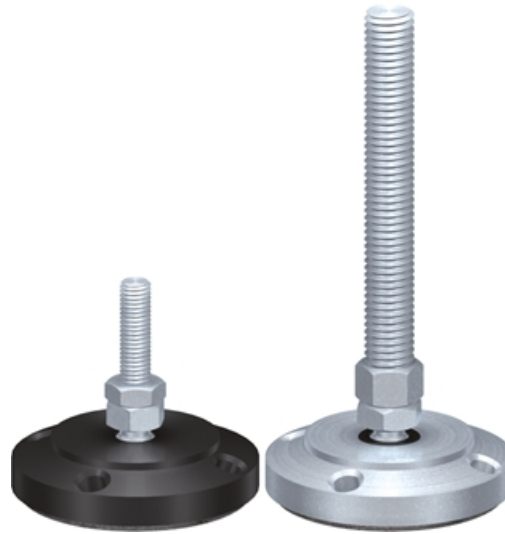
Application:
 Height adjustable foot for leveling machines and structures.
 Any tipping is compensated by a ball and striker pad.

Material: Spindle & Hexagon nut: Steel, zinc-plated

Max. Load (kg): 750

System: 40 - Slot 8; 30 - Slot 6; 20 - Slot 5

Type: Feet



General Data

Designation	Description	Pad Material	Hmin (mm)	Weight (g)
SF0423S	Adjustable Foot Ø 79 M8 PSDB/L 71	"POM, black; with anti-vibr. pad / fixing holes"	41	151
SF0421V	Adjustable Foot Ø 79 M8 SVDB/L 71	"POM, black; with anti-vibr. pad / fixing holes"	41	508
SF0435S	Adjustable Foot Ø 79 M10 PSDB/L 71	"POM, black; with anti-vibr. pad / fixing holes"	41	157
SF0433V	Adjustable Foot Ø 79 M10 SVDB/L 71	"Steel, zinc-plated; with anti-vibr. pad / fixing holes"	41	513
SF0722S	Adjustable Foot Ø 79 M12 ASDB/L 151	"Aluminum, black anodized; with anti-vibr. pad / fixing holes"	46	229
SF0723S	Adjustable Foot Ø 79 M12 PSDB/L 151	"POM, black; with anti-vibr. pad / fixing holes"	46	232
SF0721V	Adjustable Foot Ø 79 M12 SVDB/L 151	"Steel, zinc-plated; with anti-vibr. pad / fixing holes"	46	582
SF0535S	Adjustable Foot Ø 79 M16 PSDB/L 71	"POM, black; with anti-vibr. pad / fixing holes"	47	195
SF0735V	Adjustable Foot Ø 79 M16 PSDB/L 161	"POM, black; with anti-vibr. pad / fixing holes"	47	314
SF0533V	Adjustable Foot Ø 79 M16 SVDB/L 71	"Steel, zinc-plated; with anti-vibr. pad / fixing holes"	47	551
SF0733V	Adjustable Foot Ø 79 M16 SVDB/L 161	"Steel, zinc-plated; with anti-vibr. pad / fixing holes"	47	670