

Adjustable Feet $\varnothing 79$ with anti-vibration pad

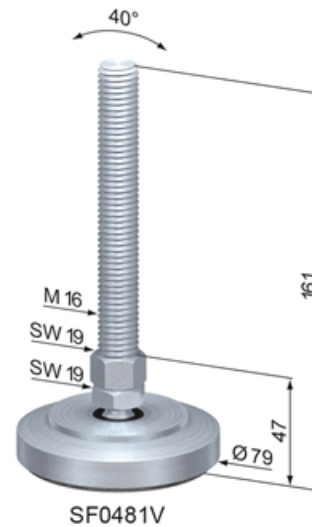
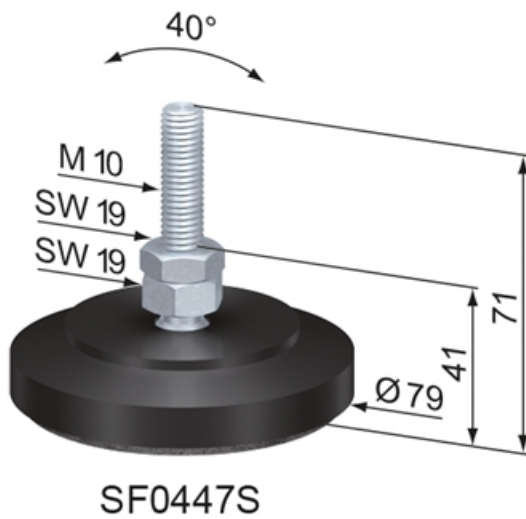
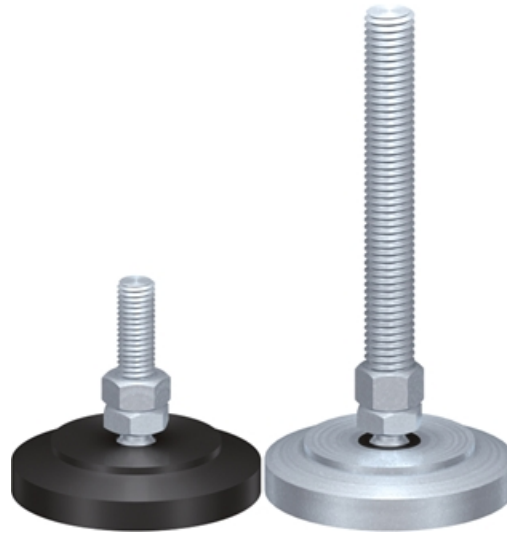
Application:
Height adjustable foot for leveling machines and structures.
Any tipping is compensated by a ball and striker pad.

Material: Spindle & Hexagon nut: Steel, zinc-plated

Max. Load (kg): 750

System: 40 - Slot 8; 30 - Slot 6; 20 - Slot 5

Type: Feet



General Data

Designation	Description	Pad Material	Hmin (mm)	Weight (g)
SF0443S	Adjustable Foot Ø 79 M8 PSD/L 71	"POM, black; with anti- vibration pad"	41	153
SF0447S	Adjustable Foot Ø 79 M10 PSD/L 71	"POM, black; with anti- vibration pad"	41	162
SF0449S	Adjustable Foot Ø 79 M12 PSD/L 71	"POM, black; with anti- vibration pad"	46	179
SF0481V	Adjustable Foot Ø 79 M16 SVD/L 161	"Steel, zinc-plated; with anti-vibration pad"	47	692