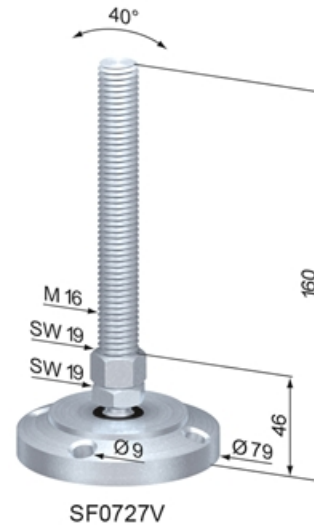
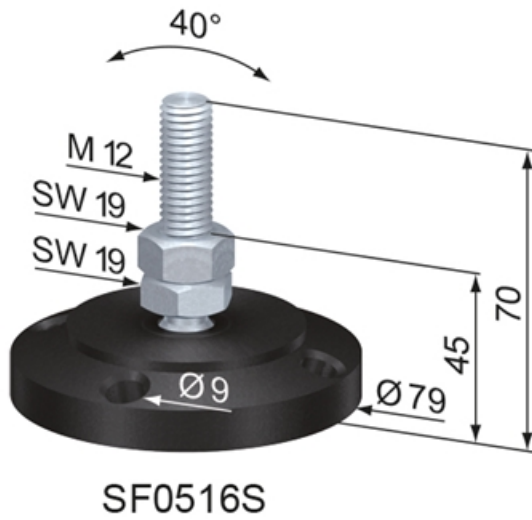
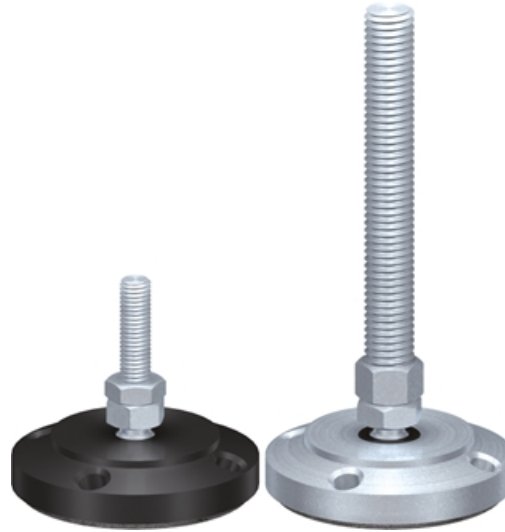


## Adjustable Feet $\varnothing 79$ with fixing holes

Application:  
Height adjustable foot for leveling machines and structures.  
Any tipping is compensated by a ball and striker pad.

**Material:** Spindle & Hexagon nut: Steel, zinc-plated  
**Max. Load (kg):** 750  
**System:** 40; 6; 5



## General Data

Designation	Description	Pad Material	Hmin (mm)	Weight (g)
SF0417S	Adjustable Foot Ø 79 M8 PSB / L 70	"POM, black; with fixing holes"	40	144
SF0415V	Adjustable Foot Ø 79 M8 SVB / L 70	"Steel, zinc-plated; with fixing holes"	40	546
SF0429S	Adjustable Foot Ø 79 M10 PSB / L 70	"POM, black; with fixing holes"	40	150
SF0427V	Adjustable Foot Ø 79 M10 SVB / L 70	"Steel, zinc-plated; with fixing holes"	40	552
SF0516S	Adjustable Foot Ø 79 M12 ASB / L 70	"Aluminum, black anodized; with fixing holes"	45	247
SF0616S	Adjustable Foot Ø 79 M12 ASB / L 150	"Aluminum, black anodized; with fixing holes"	45	302
SF0517S	Adjustable Foot Ø 79 M12 PSB / L 70	"POM, black; with fixing holes"	45	170
SF0617S	Adjustable Foot Ø 79 M12 PSB / L 150	"POM, black; with fixing holes"	45	225
SF0515V	Adjustable Foot Ø 79 M12 SVB / L 70	"Steel, zinc-plated; with fixing holes"	45	574
SF0615V	Adjustable Foot Ø 79 M12 SVB / L 150	"Steel, zinc-plated; with fixing holes"	45	630
SF0529S	Adjustable Foot Ø 79 M16 PSB / L 70	"POM, black; with fixing holes"	46	190
SF0729S	Adjustable Foot Ø 79 M16 PSB / L 160	"POM, black; with fixing holes"	46	307
SF0527V	Adjustable Foot Ø 79 M16 SVB / L 70	"Steel, zinc-plated; with fixing holes"	46	590
SF0727V	Adjustable Foot Ø 79 M16 SVB / L 160	"Steel, zinc-plated; with fixing holes"	46	700
SF0750V	Adjustable Foot Ø 79 M16 VAB / L 160	"Stainless-steel; with fixing holes"	46	730
SF0760V	Adjustable Foot Ø 79 M20 VAB / L 160 (only for System 40)	"Stainless-steel; with fixing holes"	46	861