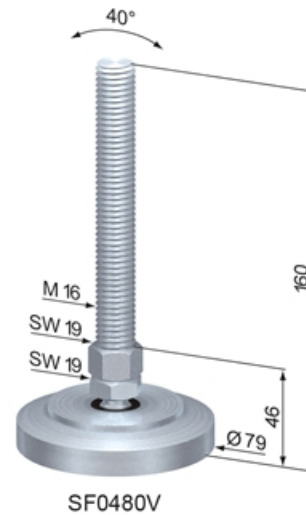
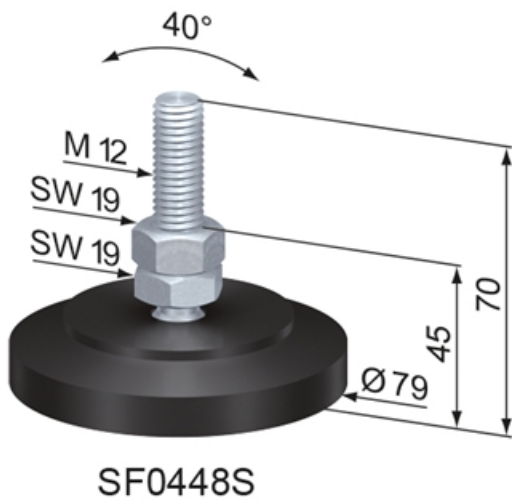
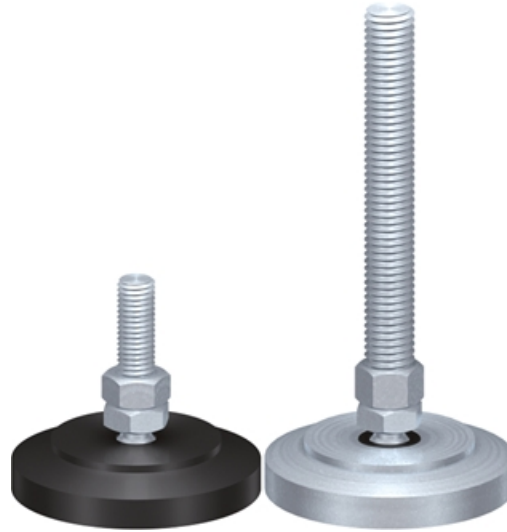


## Adjustable Feet Ø 79

**Application:**  
Height adjustable foot for leveling machines and structures.  
Any tipping is compensated by a ball and striker pad.

**Material:** Spindle & Hexagon nut SW 17: Steel, zinc-plated  
**Max. Load (kg):** 150  
**System:** 40; 6; 5



## General Data

Designation	Description	Pad Material	Hmin (mm)	Weight (g)
<b>SF0448S</b>	Adjustable Foot Ø 79 M12 PS L 70	POM, black	45	174
<b>SF0470V</b>	Adjustable Foot Ø 79 M12 SV L 150	Steel, zinc-plated	45	657
<b>SF0450S</b>	Adjustable Foot Ø 79 M16 PS L 70	POM, black	46	191
<b>SF0464S</b>	Adjustable Foot Ø 79 M16 PS L 160	POM, black	46	196
<b>SF0480V</b>	Adjustable Foot Ø 79 M16 SV L 160	Steel, zinc-plated	46	737