

Angle Feet Al, adjustable

Application:

For adjusting and fixing machine frames and protection panel support legs to the floor. Vertical adjustment: 62 mm

Supply:

1x angle foot

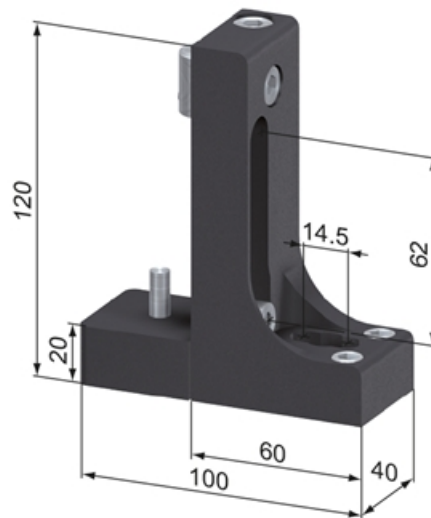
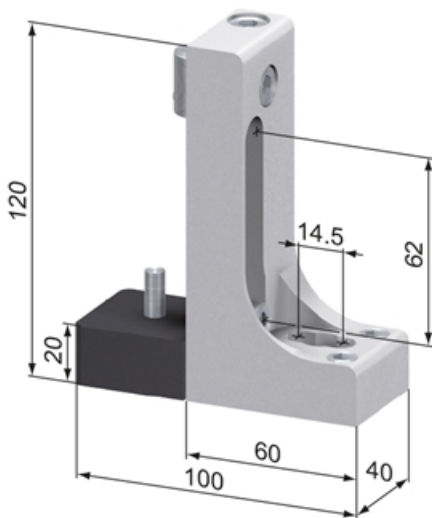
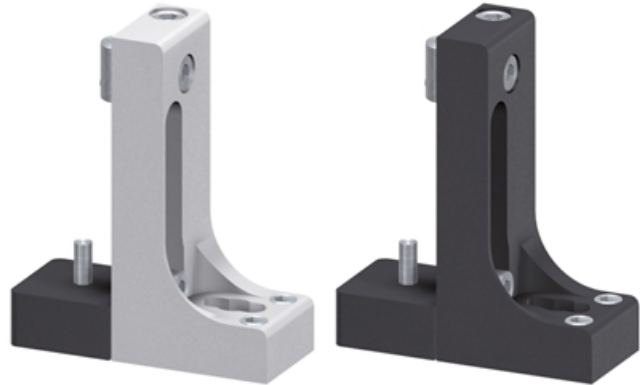
2x t-nut M 8 / ball-type, slide-in

2x cap head screw M 8 x 25, DIN 6912

2x grub screw M 12 x 20

Material: Aluminum, natural or black anodized

System: 40



SZ1710V

General Data

Designation	Description	Material	Weight (g)
SZ1710V	Fixing Set For Angle Feet	-	-
SF1200N	Angle Foot AS, adjustable	Aluminum, natural anodized	612
SF1200S	Angle Foot AS, adjustable	Aluminum, black anodized	612