

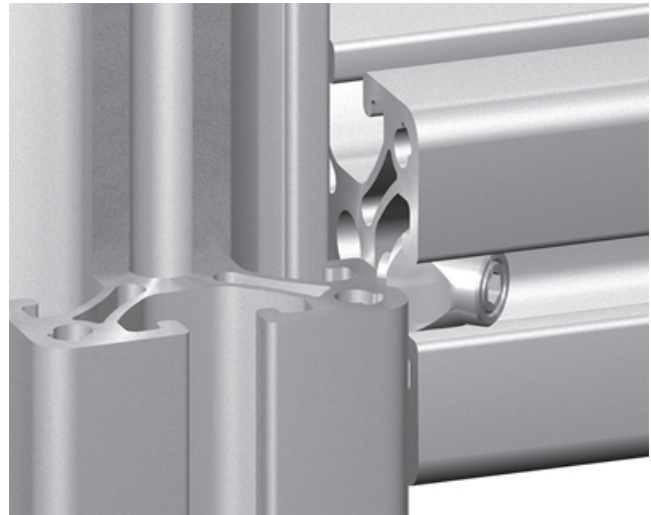
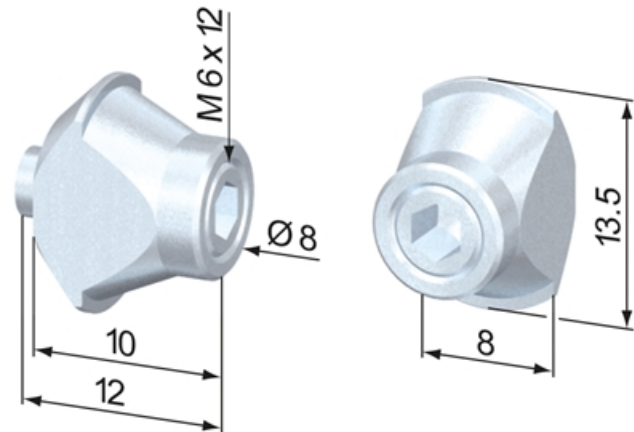
## Potential Equalizers

**Application:**

For the bonding of machine frames. Establishes an electrical conductivity connection between two profiles. The potential equalizer must not be used to carry current or become description of a protective circuit.

**Material:** Steel, zinc-plated

**System:** 40



## Variant Data

Designation	Weight (g)
<b>SZ7000N</b>	4.7