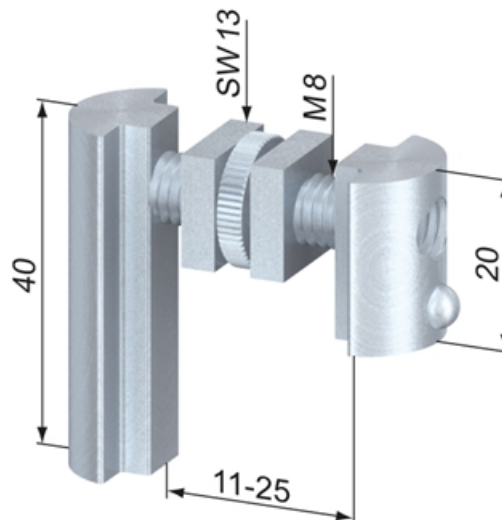


Holder, adjustable

Application:
Compensating mounting for protection panels. Gap
adjustment: 11 - 25 mm

Material: Steel, zinc-plated

System: 40



Variant Data

Designation	Weight (g)
SZ8010V	66.1