

Angle 40 x 60

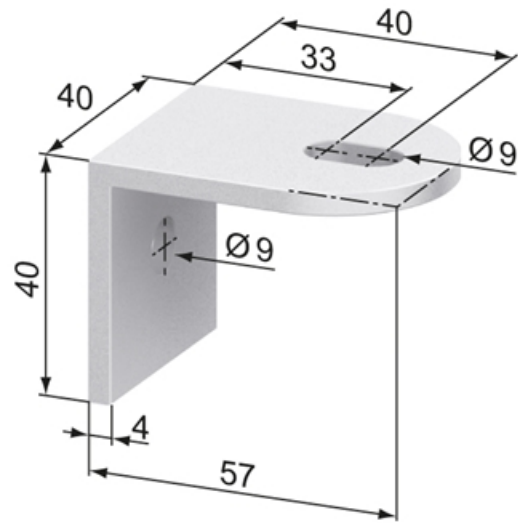
Application:
For attaching and adjusting protection panels. Gap adjustment: 16 - 24 mm

Supply:
1 x attachment screw M8 / L24
1 x screw M8 x 20, DIN 7380, washer

Material: Aluminium, natural anodized

System: 40 - Slot 8

Type: Protection Wall Fastening Elements



General Data

Designation	System	Weight (g)
SZ8000N	40 - Slot 8	31.5