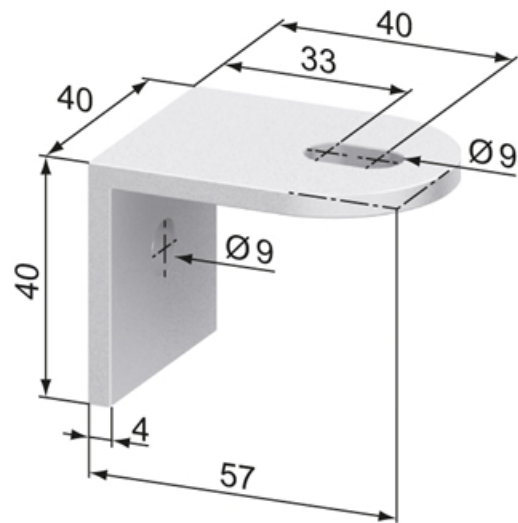


Angle 40 x 60

Application:
For attaching and adjusting protection panels. Gap adjustment: 16 - 24 mm

Supply:
1 x attachment screw M8 / L24
1 x screw M8 x 20, DIN 7380, washer

Material: Aluminium, natural anodized
System: 40



Variant Data

Designation	Weight (g)
SZ8000N	31.5