

## Attachment Plates, angled

**Application:**

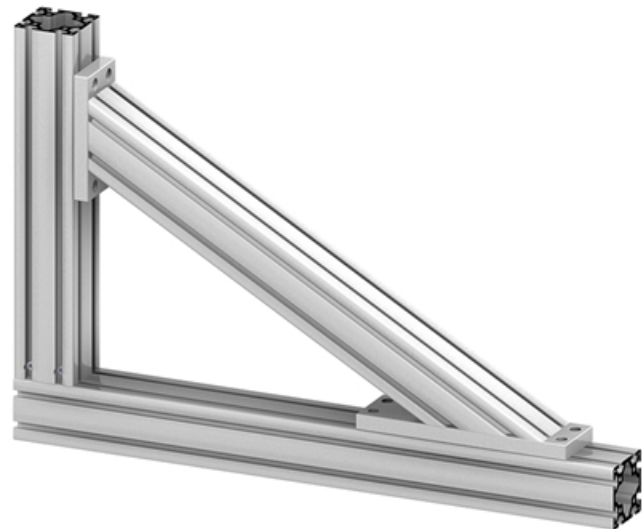
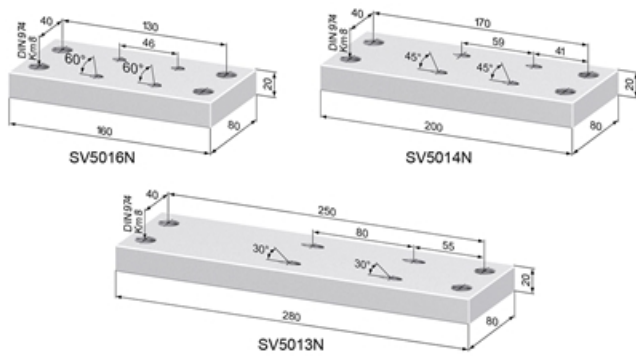
For bracing two profiles by either attaching two 45° plates or one 30° plate and one 60° plate to the 80 x 80 profiles.

**Supply:**

1 x attachment plate

**Material:** Aluminium, natural anodized

**System:** 40



## Variant Data

| Designation | Description                    | Weight (g) |
|-------------|--------------------------------|------------|
| SV5016N     | Attachment Plate 60°, 80 x 160 | 635        |
| SV5014N     | Attachment Plate 45°, 80 x 200 | 800        |
| SV5013N     | Attachment Plate 30°, 80 x 280 | 1130       |