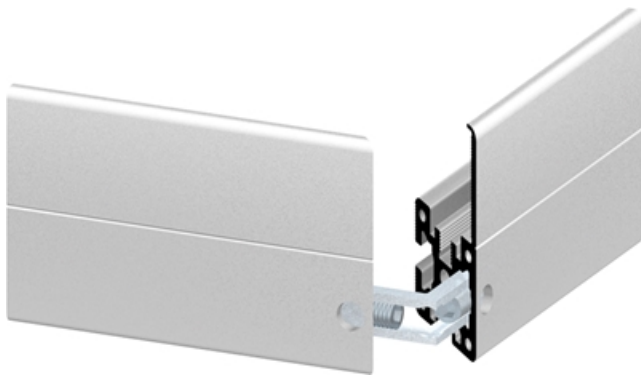
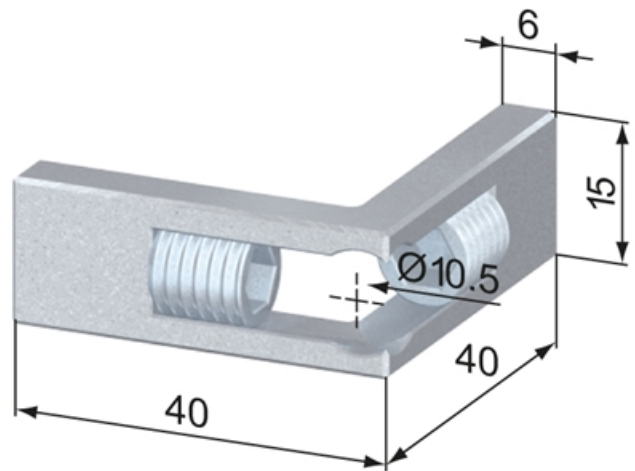


Miter Connector 40 90°

Application:
For right angled joining of table profiles (SP2500N).

Material: Steel, zinc-plated

System: 40



Variant Data

Designation	Weight (g)
SV1901V	49