

Pneumatic Fastener 40

Application:

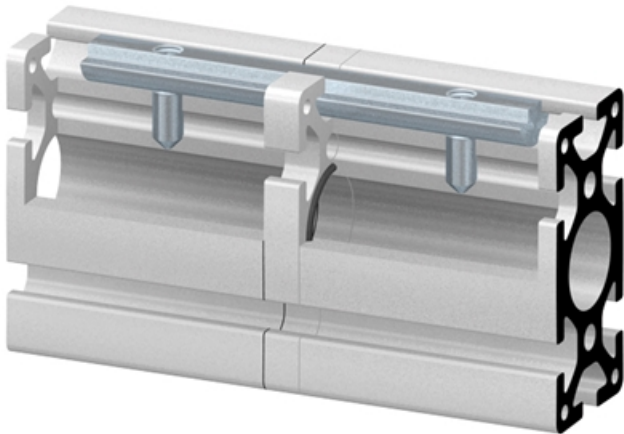
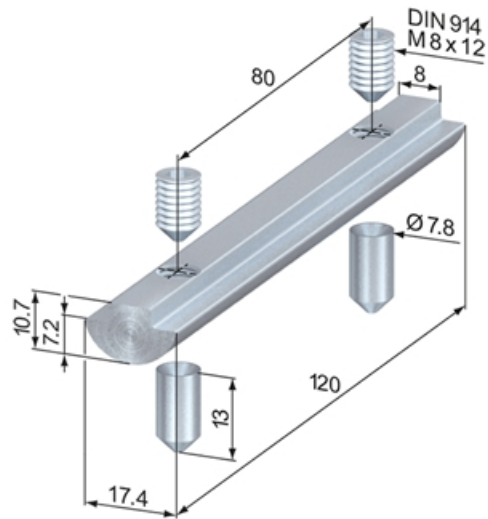
For extending profile runs used as compressed air lines.
Can also be used to extend standard profile runs.

Supply:

- 1 x t-nut M8, slide-in, L = 120 mm
- 2 x tensioning bush
- 2 x grub screw M8 x 12, zinc-plated

Material: Steel, zinc-plated

System: 40



Variant Data

Designation	Weight (g)
SV3500V	114